



**TS1 130 EU** Free Standing Tabletop Larder Defrost refrigerator in 85cm with 1 door



Fresh Box

---

**DESCRIPTION**

Free Standing Tabletop Larder Defrost refrigerator in 85cm with 1 door

**LIFE STYLE**

Easy

**COLOURS**



**REFERENCE**

REF. 40670310  
EAN. 8421152134023

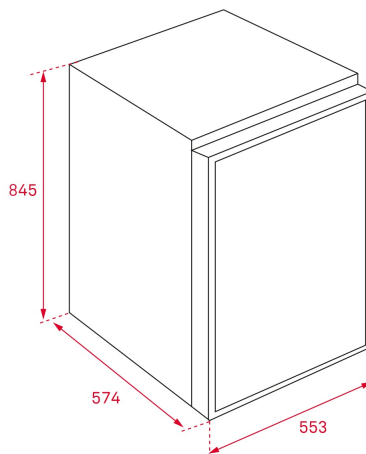


**TEKA**

**TS1 130 EU**

**FEATURES**

Free standing tabletop larder  
Mechanical control panel  
Adjustable thermostat  
Manual defrost  
3 glass shelves  
Reversible door  
1 FreshBox drawer  
Climate Class : N-ST  
Total gross capacity : 136 litres  
Net capacity (fridge): 133 litres



## DIMENSIONS

**Product height (mm):** 845  
**Product width (mm):** 553  
**Product depth (mm):** 574  
**Product length (mm):**  
**Net weight (Kg):** 26,9

## TECH SPECS

### FITTING MEASURES

**Built-in Width (mm):** 0  
**Built-in Depth (mm):** 0  
**Built-in Height (mm):** 845

### PRODUCT SHEET

**Cooling system:** Defrost  
**Total gross capacity (litres):** 136  
**Refrigerator compartment capacity (litres):** 133  
**Annual Consumption (kWh/year):** 117  
**Climate class:** ST/N  
**Noise level (dB):** 39  
**Certificates:** CE, Intertek

### POWER SUPPLY

**Frequency (Hz):** 50Hz  
**Power rate (V):** 220V-240V  
**Power rate (W):** 70  
**Energy consumption (kw/day):** 0,32

**PARTICULAR  
CHARACTERISITICS**

**EQUIPMENT**

**PRODUCT INFORMATION  
SHEET (UE) 2019/2016**

**Type of installation:** Free standing  
**Antibacterial treatment:** NO  
**Inner light:** Yes  
**Type of inner light:** STANDARD BULB  
**Reversible doors:** Yes  
**Integrated handle:** Yes

**Chromed bottle rack:** NO  
**Multipurpose compartment:** NO  
**Bottle rack type:** NO  
**Adjustable feet front:** Yes  
**Refrigerator adjustable shelves:** Yes  
**Vegetable drawers:** 1  
**Temperature and humidity regulation in drawers:** FRESH BOX

**Supplier name or trademark:** TEKA  
**Supplier's address:** C/Cajo, 17, 39011, Santander , Spain  
**Model identifier:** TS1 130 EU

**Type of refrigerating appliance**

**Low-noise appliance:** 0  
**Design type:** Free standing  
**Wine storage appliance:** 0  
**Other refrigerating appliance:** 1

**Overall dimensions (mm)**

**Height:** 845  
**Width:** 553  
**Depth:** 574  
**Total volume (dm<sup>3</sup> or l):** 131  
**Energy efficiency class:** F  
**Airborne acoustical noise emissions (dB(A) re 1 pW):**  
**Airborne acoustical noise emission class:** C  
**Annual energy consumption (kWh/a):** 113  
**Climate class:** ST/N  
**Minimum ambient temperature (°C), for which the refrigerating appliance is suitable:**  
**Maximum ambient temperature (°C), for which the refrigerating appliance is suitable:**  
**Winter setting:**  
**Compartment 1:** FRESH FOOD  
**Compartment 1 - Compartment Volume (l):** 131  
**Compartment 1 - Recommended temperature setting for optimised food storage (°C):**  
**Compartment 1 - Freezing capacity (kg/24h):** NA  
**Compartment 1 - Defrosting type:** A  
**Compartment 1 - Target temperature (°C):**  
**Compartment 1 - Thermodynamic parameter (rc):** NA  
**Compartment 1 - Nc:** NA  
**Compartment 1 - Mc:** NA  
**Compartment 1 - Defrost factor (Ac):** NA  
**Compartment 1 - Built-in factor (Bc):** NA  
**Compartment 2:** NA  
**Compartment 2 - Compartment Volume (l):** NA  
**Compartment 2 - Recommended temperature setting for optimised food storage (°C):**  
**Compartment 2 - Freezing capacity (kg/24h):** NA  
**Compartment 2 - Defrosting type:** NA  
**Compartment 2 - Target temperature (°C):**  
**Compartment 2 - Thermodynamic parameter (rc):** NA  
**Compartment 2 - Nc:** NA  
**Compartment 2 - Mc:** NA  
**Compartment 2 - Defrost factor (Ac):** NA

**Compartment 2 - Built-in factor (Bc):** NA  
**Compartment 3:** NA  
**Compartment 3 - Compartment Volume (I):** NA  
**Compartment 3 - Recommended temperature setting for optimised food storage (°C):**  
**Compartment 3 - Freezing capacity (kg/24h):** NA  
**Compartment 3 - Defrosting type:** NA  
**Compartment 3 - Target temperature (°C):**  
**Compartment 3 - Thermodynamic parameter (rc):** NA  
**Compartment 3 - Nc:** NA  
**Compartment 3 - Mc:** NA  
**Compartment 3 - Defrost factor (Ac):** NA  
**Compartment 3 - Built-in factor (Bc):** NA  
**Compartment 4:** NA  
**Compartment 4 - Compartment Volume (I):** NA  
**Compartment 4 - Recommended temperature setting for optimised food storage (°C):**  
**Compartment 4 - Freezing capacity (kg/24h):** NA  
**Compartment 4 - Defrosting type:** NA  
**Compartment 4 - Target temperature (°C):**  
**Compartment 4 - Thermodynamic parameter (rc):** NA  
**Compartment 4 - Nc:** NA  
**Compartment 4 - Mc:** NA  
**Compartment 4 - Defrost factor (Ac):** NA  
**Compartment 4 - Built-in factor (Bc):** NA  
**Compartment 5 - Type:** NA  
**Compartment 5 - Compartment Volume (I):** NA  
**Compartment 5 - Recommended temperature setting for optimised food storage (°C):**  
**Compartment 5 - Freezing capacity (kg/24h):** NA  
**Compartment 5 - Defrosting type:** NA  
**Compartment 5 - Target temperature (°C):**  
**Compartment 5 - Thermodynamic parameter (rc):** NA  
**Compartment 5 - Nc:** NA  
**Compartment 5 - Mc:** NA  
**Compartment 5 - Defrost factor (Ac):** NA  
**Compartment 5 - Built-in factor (Bc):** NA

#### **Light source parameters**

**Light source - Type of light source:** LED  
**Light source - Energy efficiency class:** NA  
**Minimum duration of the guarantee offered by the manufacturer (b):**

#### **Additional information:**

Weblink to the manufacturer's website, where the information in point 4(a) Annex of Commission Regulation (EU) 2019/2019 (1) (b) is found:  
(a) as determined in accordance with Commission Delegated Regulation (EU) 2019/2015 (2).  
(b) changes to these items shall not be considered relevant for the purposes of point 4 of Article 4 of Regulation (EU) 2017/1369.  
(c) if the product database automatically generates the definitive content of this cell the supplier shall not enter these data.

(1) Commission Regulation (EU) 2019/2019 of 1 October 2019 laying down ecodesign requirements for refrigerating appliances pursuant to Directive 2009/125/EC of the European Parliament and of the Council and repealing Commission Regulation (EC) No 643/2009 (see page 187 of this Official Journal).(2)

(2) Commission Delegated Regulation (EU) 2019/2015 of 11 March 2019 supplementing Regulation (EU) 2017/1369 of the European Parliament and of the Council with regard to energy labelling of light sources and repealing Commission Delegated Regulation (EU) No 874/2012 (see page 68 of this Official Journal).



TS1 130 EU

ENERGY LABEL

