



## TKI3 145 D Built-in Refrigerator in 82cm



Easy 90



LED

### DESCRIPTION

Built-in Refrigerator in 82cm

### LIFE STYLE

Total

### COLOURS



### REFERENCE

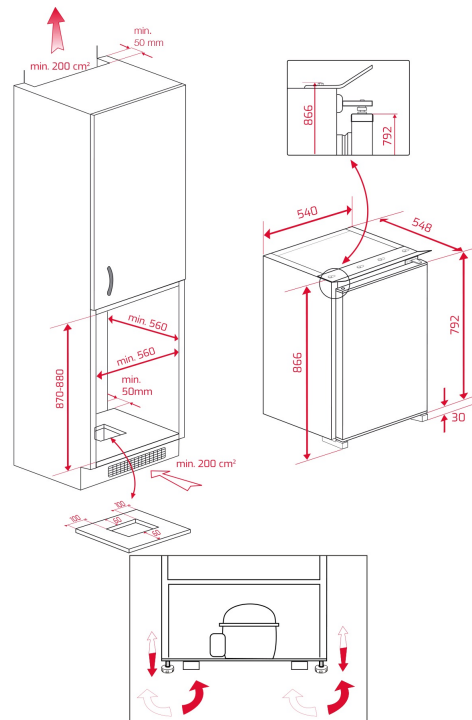
REF. 40693006  
EAN. 8421152114445



## TKI3 145 D

### FEATURES

Built-in fridge  
Mechanical control panel  
Manual defrost  
Safety glass shelves  
Door on door installation  
Reversible door  
:  
Climate Class: SN-T  
Total gross capacity: 130 litres  
Net capacity: 128 litres



## DIMENSIONS

**Product height (mm):** 818  
**Product width (mm):** 595  
**Product depth (mm):** 545  
**Product length (mm):**  
**Net weight (Kg):** 29

## TECH SPECS

### FITTING MEASURES

**Built-in niche (cm):** 82

### PRODUCT SHEET

**Cooling system:** Defrost  
**Total gross capacity (litres):** 130  
**Refrigerator compartment capacity (litres):** 128  
**Annual Consumption (kWh/year):** 92  
**Climate class:** SN/T  
**Noise level (dB):** 40  
**Certificates:** CE

### POWER SUPPLY

**Frequency (Hz):** 50  
**Power rate (V):** 230  
**Power rate (W):** 140  
**Energy consumption (kw/day):** 0,252  
**Plug type:** European  
**Cable Connection Length (cm):** 193

**PARTICULAR  
CHARACTERISTICS**

**Type of installation:** Built-in  
**Automatic defrosting in the refrigeration compartment:** Yes  
**Control panel:** Mechanical  
**Antibacterial treatment:** NO  
**Cooling set button:** Yes  
**Inner light:** Yes  
**Type of inner light:** LED BULB  
**Reversible doors:** Yes

**EQUIPMENT**

**Antibacterial gasket:** Yes  
**Multipurpose compartment:** NO  
**Ice cubes tray:** No  
**Bottle rack type:** NO  
**Adjustable feet front:** Yes  
**Number of shelves:** 3  
**Refrigerator adjustable shelves:** Yes

**PRODUCT INFORMATION  
SHEET (UE) 2019/2016**

**Supplier name or trademark:** TEKA  
**Supplier's address:** C/Cajo, 17, 39011, Santander , Spain  
**Model identifier:** TKI3 145 D

**Type of refrigerating appliance**

**Design type:** NA

**Overall dimensions (mm)**

**Height:** 818  
**Width:** 595  
**Depth:** 545  
**Total volume (dm<sup>3</sup> or l):** NA  
**Airborne acoustical noise emission class:** NA  
**Annual energy consumption (kWh/a):** NA  
**Climate class:** SN/T  
**Minimum ambient temperature (°C), for which the refrigerating appliance is suitable:** NA  
**Maximum ambient temperature (°C), for which the refrigerating appliance is suitable:** NA

**Light source parameters**

**Light source - Type of light source:** NA  
**Light source - Energy efficiency class:** NA

**Light source parameters**

**Light source - Type of light source:** NA  
**Light source - Energy efficiency class:** NA

**Additional information:**

Weblink to the manufacturer's website, where the information in point 4(a) Annex of Commission Regulation (EU) 2019/2019 (1) (b) is found:  
(a) as determined in accordance with Commission Delegated Regulation (EU) 2019/2015 (2).  
(b) changes to these items shall not be considered relevant for the purposes of point 4 of Article 4 of Regulation (EU) 2017/1369.  
(c) if the product database automatically generates the definitive content of this cell the supplier shall not enter these data.

(1) Commission Regulation (EU) 2019/2019 of 1 October 2019 laying down ecodesign requirements for refrigerating appliances pursuant to Directive 2009/125/EC of the European Parliament and of the Council and repealing Commission Regulation (EC) No 643/2009 (see page 187 of this Official Journal).(2)

(2) Commission Delegated Regulation (EU) 2019/2015 of 11 March 2019 supplementing Regulation (EU) 2017/1369 of the European

Parliament and of the Council with regard to energy labelling of light sources and repealing Commission Delegated Regulation (EU) No 874/2012 (see page 68 of this Official Journal).



TKI3 145 D

ENERGY LABEL

