



LSI5 1480 8kg/5kg Built-in Washer Dryer with handwashable system



A Energy Class



Washing capacity: 8Kg

DESCRIPTION

8kg/5kg Built-in Washer Dryer with handwashable system

LIFE STYLE

Total

COLOURS

REFERENCE

REF. 40821017
EAN. 8421152150450

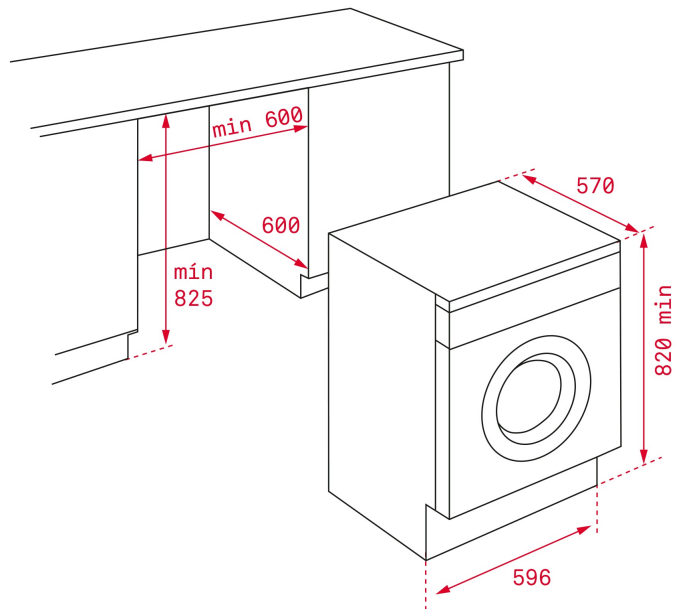


TEKA

LSI5 1480

FEATURES

Integrated washer dryer
Washing capacity : 8 kg
Drying capacity : 5 kg
13 washing programmes
2 drying programmes
Maximum spin speed : 1400 rpm
Electronic control panel
Fast program 14 minutes
Automatic water regulation
Delay timer 1-24h
Balance control system
Foam control system
30 cm wide porthole
Reversible door
Energy class A/A



DIMENSIONS

Product height (mm): 820
Product width (mm): 596
Product depth (mm): 570
Product length (mm):
Net weight (Kg): 64

TECH SPECS

PRODUCT SHEET

Type of load: Front
Type of installation: Built-in
Washing capacity (Kgs): 8
Drying capacity (Kgs): 5
Energy Efficiency Class: A
Washing efficiency: A
Energy consumption (kWh/year): 220
Water consumption (litres/year): 11000
Maximum spinning speed (RPM): 1400

POWER SUPPLY

Frequency (Hz): 50
Power rate (V): 220-240
Maximum Nominal Power (W): 1600
Nominal power motor (W): 350
Power of heating element (W): 1600

PARTICULAR CHARACTERISTICS

Stainless Steel Drum: Yes
Number of programs: 13
Control panel: SYMBOL

CONTROL INDICATOR LIGHTS

Electronic washing management: Yes
Auto lock door: Yes
Cancel spin cycle button: Yes

Selected program indicator: Yes
Remaining time: Yes
Drying: Yes
Dryer timer: Yes

SPECIAL FUNCTIONS

Fast program: Yes
Fast program (minutes): 14
Economic program: Yes
Intense program: Yes
Delicate fabrics: Yes
Resistant: Yes
Quick Wash: Yes

EQUIPMENT

Adjustable Feet Back: Yes
Adjustable feet front: Yes

