



# TKS 850 C 8kg Electronic Condensate Dryer with 4 intensity levels



Quick Cycle



Washing  
capacity: 8Kg

---

## DESCRIPTION

8kg Electronic Condensate Dryer with 4 intensity levels

## LIFE STYLE

Maestro

## COLOURS

## REFERENCE

REF. 40854100  
EAN. 8421152131718

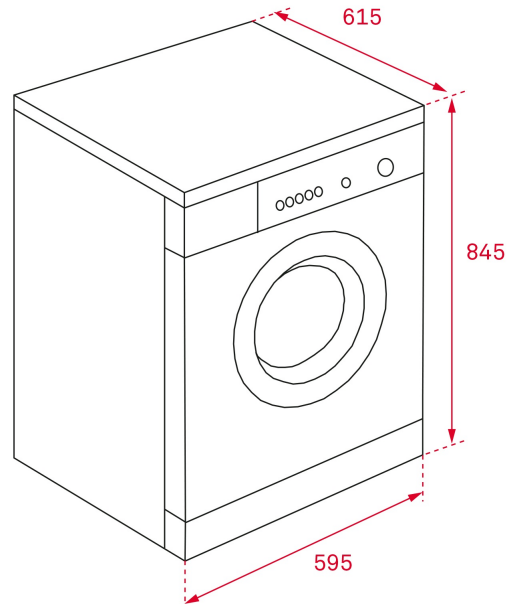


TEKA

TKS 850 C

## FEATURES

Free standing dryer  
Condenser dryer  
16 programs  
Drying capacity: 8 Kg  
Electronic control panel with display  
Delay timer 1-24h  
4 Power levels  
End of cycle alarm  
Speed dry function  
Humidity sensor  
Anti-crease program  
Delicate clothing program clothing program  
Cooling program  
Bi- direction rotation  
Removable filter with saturation level indicator  
Energy class: B

**TEKA****TKS 850 C**

## DIMENSIONS

**Product height (mm):** 845  
**Product width (mm):** 595  
**Product depth (mm):** 615  
**Product length (mm):**  
**Net weight (Kg):** 42

## TECH SPECS

### PRODUCT SHEET

**Type of load:** Front  
**Type of installation:** Free standing  
**Drying capacity (Kgs):** 8  
**Energy Efficiency Class:** B  
**Condensation efficiency:** B  
**Energy consumption per drying cycle (Full load) (kWh):** 4.74  
**Energy consumption (kWh/year):** 561  
**Duration of drying cycle (Full load) (minutes):** 140  
**Automatic (sensor drying):** Yes

### POWER SUPPLY

**Frequency (Hz):** 50  
**Power rate (V):** 220-240  
**Maximum Nominal Power (W):** 2700  
**Nominal power motor (W):** 200  
**Power of heating element (W):** 2500

### PARTICULAR CHARACTERISTICS

**Glass door diameter (cms):** 50  
**Number of programs:** 16  
**Control panel:** Electronic

**CONTROL INDICATOR LIGHTS**

**Electronic washing management:** Yes

**Child lock:** Yes

**Bidirectional rotation:** Yes

**Drum light:** Yes

**Drum:** Zincification steel

**Remaining time:** Yes

**Drying:** Yes

**Dryer timer:** Yes

**Full water tank indicator:** Yes

**SPECIAL FUNCTIONS**

**Fast program:** Yes

**Economic program:** Yes

**Delayed Timer (h):** 1-24

**EQUIPMENT**

**Adjustable Feet Back:** Yes

**Adjustable feet front:** Yes



# TKS 850 C

## ENERGY LABEL

The energy label for the TEKA TKS 850 C washing machine is a vertical rectangular sticker with a blue border. At the top left is the European Union flag and the word 'ENERGY' in large letters, with 'енергія - ενεργεια' below it. To the right are the CE mark and the letters 'Y UA' and 'IE IA'. Below this is the TEKA logo and the model number 'TKS 850 C'. The central feature is a scale of energy efficiency classes from A+++ (green) to D (red), with a black arrow pointing to class 'B'. To the right of the scale is a '26mm' dimension line. Below the scale, the energy consumption is listed as '561 kWh/annum' in a white box with a blue border. Underneath, there are four icons: a washing machine, a clock, a t-shirt, and a speaker. Below these icons are the values '140 min/cycle\*', '8,0 kg', and '69 dB'. At the bottom left is a water consumption icon and the text 'ABCDEFG'. At the bottom right is a small asterisked note in multiple languages: '\*урокон - cyklus - partion - zykhus - podpyspuat - ciclo - tsikkeli - abpama - ciklu - vilkai - cikis - daku - cyklus - cykl - cicla - program - torkomgong'. The bottom left corner of the label has the number '392/2012'.