



TKD 1610 WD 10kg /7kg Free Standing Washer Dryer with Woolmark certification



Woolmark
Certificate



A Energy Class



Washing
capacity: 10Kg



Washing
capacity: 7Kg

DESCRIPTION

10kg /7kg Free Standing Washer Dryer with Woolmark certification

LIFE STYLE

Maestro

COLOURS



REFERENCE

REF. 40874450
EAN. 8421152146415

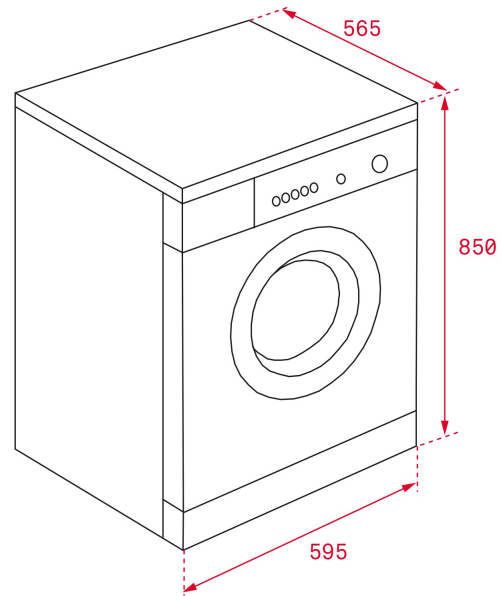


TEKA

TKD 1610 WD

FEATURES

Free standing washer-dryer
Washing capacity : 10 kg
Drying capacity : 7 kg
Woolmark certification
BLDC Inverter Motor
16 washing programs
6 drying programmes
Electronic control panel
Digital display LCD
Maximum spin speed : 1600 rpm
Special Programs Wool and baby care
Special program 1hour wash + Dry
Fast program 15 minutes
32 cm wide porthole door
Automatic water regulation
Delay timer 1-24h
Balance control system
Locking system in case of lack of water or electricity
Foam control system
Energy class A/A

TEKA**TKD 1610 WD**

DIMENSIONS

Product height (mm): 850
Product width (mm): 595
Product depth (mm): 565
Product length (mm):
Net weight (Kg): 71

TECH SPECS

PRODUCT SHEET

Type of load: Front
Type of installation: Free standing
Washing capacity (Kgs): 10
Drying capacity (Kgs): 7
Energy Efficiency Class: A
Washing efficiency: A
Energy consumption (kWh/year): 260
Water consumption (litres/year): 10000
Maximum spinning speed (RPM): 1600
Certificates: CE

POWER SUPPLY

Frequency (Hz): 50
Power rate (V): 220-240
Maximum Nominal Power (W): 2000
Nominal power motor (W): 500
Power of heating element (W): 1200

PARTICULAR CHARACTERISTICS

Stainless Steel Drum: Yes
Number of programs: 16

CONTROL INDICATOR LIGHTS

Number Of Washing Temperatures: 6

Control panel: Electronic

Electronic washing management: Yes

Child lock: Yes

Auto lock door: Yes

Cancel spin cycle button: Yes

Selected program indicator: Yes

Remaining time: Yes

Drying: Yes

SPECIAL FUNCTIONS

Delayed Timer (h): 1-24

Extra rinse: Yes

Delicate fabrics: Yes

Easy ironing/anti crease: Yes

Quick Wash: Yes

EQUIPMENT

Adjustable Feet Back: Yes

Adjustable feet front: Yes



TKD 1610 WD

ENERGY LABEL

Energy		Washer dryer
Manufacturer		TEKA
Model		TKD 1610 WD
More efficient		A
Less efficient		
Energy consumption <small>(to wash and dry a full capacity wash load at 60 °C)</small>	kWh	6.80
Washing(Only)	kWh	1.10
<small>Actual energy consumption will depend on how the appliance is used</small>		
Washing performance		A B C D E F G
<small>A: higher Spin speed(rpm) G: lower</small>		1600
Capacity (Cotton)Kg	Washing	10.0
	Drying	7.0
Water consumption(total)		160
Noise (dB(A) re 1 pW)	Washing	56
	Spinning	78
	Drying	62
<small>Further information is contained in product brochures</small>		
<small>Norm EN 60229 Washer-dryer Label Directive 98/10/EC</small>		