



RVI 35 Wine Cooler for 36 bottles and adjustable temperature control



DESCRIPTION

Wine Cooler for 36 bottles and adjustable temperature control

LIFE STYLE

Maestro

COLOURS



REFERENCE

REF. 40682500
EAN. 8421152087299

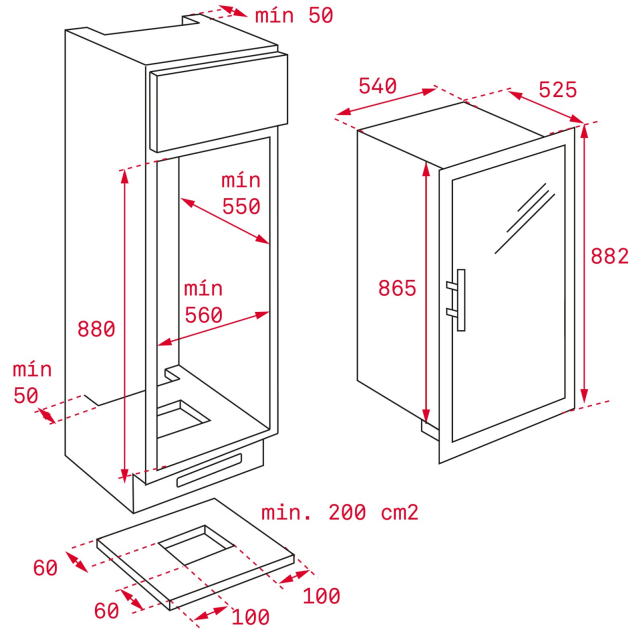


TEKA

RVI 35

FEATURES

Built-in wine cooler
Electronic control panel
Capacity : 35 bottles
Adjustable temperature (5-16°C)
4 adjustable wooden shelves
Metallic handle
Reversible door
B
Climate Class : SN
Total gross volume: 135 litres



DIMENSIONS

Product height (mm): 865
Product width (mm): 540
Product depth (mm): 545
Product length (mm):
Net weight (Kg):

TECH SPECS

FITTING MEASURES

Built-in niche (cm): 88

PRODUCT SHEET

Cooling system: Defrost
Total gross capacity (litres): 135
Annual Consumption (kWh/year): 147
Climate class: SN
Noise level (dB): 38
Certificates: CE, TUV

POWER SUPPLY

Frequency (Hz): 50
Power rate (V): 230
Power rate (W): 55
Energy consumption (kw/day): 0,57

PARTICULAR CHARACTERISTICS

Type of installation: Built-in
Number of bottles (wine cooler): 35
Automatic defrosting in the refrigeration compartment: Yes

CONTROL INDICATOR LIGHTS

EQUIPMENT

PRODUCT INFORMATION SHEET (UE) 2019/2016

Control panel: ELECTRONIC
Electronic adjustable thermostat: Yes
Inner light: Yes
Reversible doors: Yes
External handle: Yes

Acoustic alarm: Yes

Bottle rack type: WOOD
Adjustable feet front: Yes
Number of shelves: 4

Supplier name or trademark: TEKA
Supplier's address: C/Cajo, 17, 39011, Santander , Spain
Model identifier: RVI 35

Type of refrigerating appliance

Overall dimensions (mm)

Height: 865
Width: 540
Depth: 545
Climate class: SN

Light source parameters

Light source parameters

Additional information:

Weblink to the manufacturer's website, where the information in point 4(a) Annex of Commission Regulation (EU) 2019/2019 (1) (b) is found:
(a) as determined in accordance with Commission Delegated Regulation (EU) 2019/2015 (2).
(b) changes to these items shall not be considered relevant for the purposes of point 4 of Article 4 of Regulation (EU) 2017/1369.
(c) if the product database automatically generates the definitive content of this cell the supplier shall not enter these data.

(1) Commission Regulation (EU) 2019/2019 of 1 October 2019 laying down ecodesign requirements for refrigerating appliances pursuant to Directive 2009/125/EC of the European Parliament and of the Council and repealing Commission Regulation (EC) No 643/2009 (see page 187 of this Official Journal).(2)

(2) Commission Delegated Regulation (EU) 2019/2015 of 11 March 2019 supplementing Regulation (EU) 2017/1369 of the European Parliament and of the Council with regard to energy labelling of light sources and repealing Commission Delegated Regulation (EU) No 874/2012 (see page 68 of this Official Journal).

