



TK3 1490 WD 9kg Free Standing Washer Dryer



A Energy Class



Quick Cycle



Washing capacity: 6Kg



Washing capacity: 9Kg

DESCRIPTION

9kg Free Standing Washer Dryer

LIFE STYLE

Total

COLOURS



REFERENCE

REF. 40878061
EAN. 8421152127612



TEKA

TK3 1490 WD

FEATURES

Free standing washer-dryer

Washing capacity : 9 kg

Drying capacity : 6 kg

11 washing programmes

4 drying programmes

Electronic control panel

LED display

Maximum spin speed : 1400 rpm

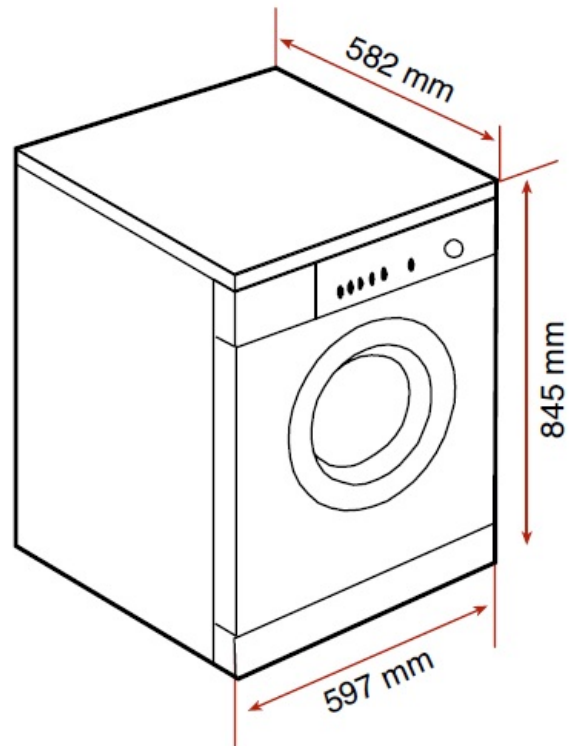
Fast program 12 minutes

Automatic water regulation

Delay timer 1-24h

33 cm wide porthole

Energy class A/A

TEKA**TK3 1490 WD**

DIMENSIONS

Product height (mm): 845
Product width (mm): 597
Product depth (mm): 582
Product length (mm):
Net weight (Kg): 78

TECH SPECS

PRODUCT SHEET

Type of load: Front
Type of installation: Free standing
Washing capacity (Kgs): 9
Drying capacity (Kgs): 6
Energy Efficiency Class: A
Washing efficiency: A
Spinning efficiency: B
Energy consumption (kWh/year): 210
Water consumption (litres/year): 9800
Maximum spinning speed (RPM): 1400
Certificates: CE + IMQ + VDE

POWER SUPPLY

Frequency (Hz): 50
Power rate (V): 220-240
Maximum Nominal Power (W): 2200
Nominal power motor (W): 200
Power of heating element (W): 1850

PARTICULAR

Stainless Steel Drum: Yes

CHARACTERISITICS

Glass door diameter (cms): 47
Number of programs: 11
Control panel: ELECTRONIC
Electronic washing management: Yes
Child lock: Yes
Auto lock door: Yes
Cancel spin cycle button: Yes
Removable work top: Yes

CONTROL INDICATOR LIGHTS

Selected program indicator: Yes
Remaining time: Yes
Drying: Yes
Dryer timer: Yes

SPECIAL FUNCTIONS

Fast program: Yes
Fast program (minutes): 12
Economic program: Yes
Intense program: Yes
Extra rinse: Yes
Delicate fabrics: Yes
Resistant: Yes

EQUIPMENT

Adjustable Feet Back: Yes
Adjustable feet front: Yes



TK3 1490 WD

ENERGY LABEL

Energy Washer-Dryer

Manufacturer **teka**
Model **TK3 1490 WD**

More efficient

Less efficient

Energy consumption kWh <small>(to wash and dry a full capacity wash load at 60°C)</small>	6.12
Washing (only) kWh <small>Actual energy consumption will depend on how the appliance is used</small>	0.90
Washing performance <small>A: higher G: lower Spin speed (rpm)</small>	A B C D E F G 1400
Capacity (cotton) kg	Washing 9.0 Drying 6.0
Water consumption (total) l	112
Noise (dB(A)re 1 pW)	Washing 58 Spinning 77 Drying 64

Further information is contained in product brochures.

Norm EN 50229
Washer-dryer Label Directive No 98/50/EC.