



**CNL 6815 PLUS** 60cm Pull-out Hood with ECOPOWER motor and and 5+1 speeds



LED



Stop Delay  
Timer

**DESCRIPTION**

60cm Pull-out Hood with ECOPOWER motor and and 5+1 speeds

**LIFE STYLE**

Maestro

**COLOURS**



**REFERENCE**

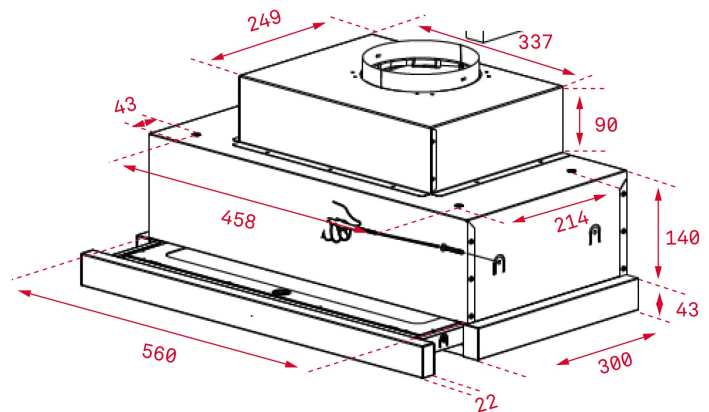
REF. 40436840  
EAN. 8421152146248



## CNL 6815 PLUS

### FEATURES

Pull-out hood  
Electronic control  
5 speeds + 1 intensive  
Free Outlet exhaust capacity (m<sup>3</sup>/h): 734  
Intensive speed exhaust capacity (m<sup>3</sup>/h): 730  
Max speed exhaust capacity (m<sup>3</sup>/h): 555  
Min speed exhaust capacity (m<sup>3</sup>/h): 295  
Intensive speed sound level (dBA): 70  
Max speed sound level (dBA): 65  
Min speed sound level (dBA): 53  
1 LED lamps  
2 Stainless Steel filters  
Stop delay timer  
Fingerprint proof front panel  
Exchangeable Front Panel  
Anti-return valve included  
Outlet reduction included  
Optional Charcoal Filter: D1C



## DIMENSIONS

**Product height (mm):** 274

**Product width (mm):** 600

**Product depth (mm):** 300/490

**Product length (mm):**

**Net weight (Kg):** 9,63

## TECH SPECS

### PARTICULAR CHARACTERISTICS

**Certificates:** CE; CB; Rohs

**Ø Outlet (mm):** 150

**Type of inner light:** LED

**Inside light Consumption (W):** 19

**Plug type:** European plug

**Power rate (V):** 230

**Frequency (Hz):** 50

**Total hood power (W):** 274

**Number of motors:** 1

**Motor power (W):** 265

**Air flow (Qmin) m<sup>3</sup>/h:** 295

**Air flow (Qmax):** 555

**Air flow (Qboost):** 730

### ACCESSORIES

**Anti Return valve:** Yes

**Outlet reduction:** Yes

**Outlet extension:** No

**Optional Charcoal Filter:** D1C

**Conventional recirculation kit (opt) - w/tube cover:** No

## MODELS

**Number of filters:** 2

**Filter description:** Stainless Steel filters MMX

**Control panel:** Electronic soft buttons

**Stop delay timer:** Yes

**Automatic lighting:** Yes

**Number of speeds:** 5+1

**Fingerprint proof front panel:** Yes



CNL 6815 PLUS

ENERGY LABEL

