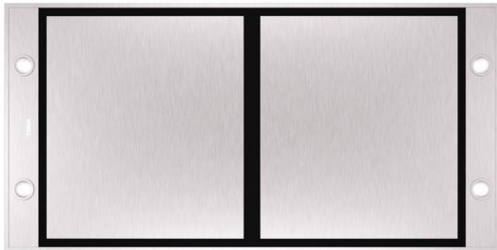




**DHT 1285** 120cm Ceiling Hood with Contour Rim extraction system and ECOPOWER motor



Remote Control



LED



Perimeter extraction



Stop Delay Timer

**DESCRIPTION**

120cm Ceiling Hood with Contour Rim extraction system and ECOPOWER motor

**LIFE STYLE**

Maestro

**COLOURS**

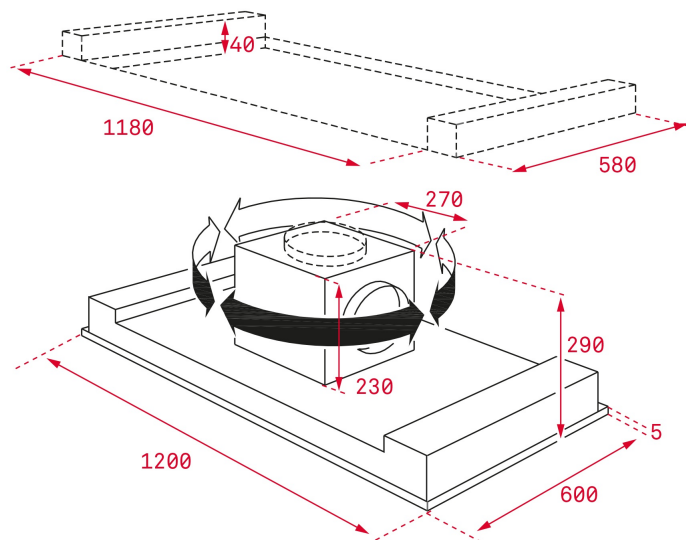


**REFERENCE**

REF. 40484180  
EAN. 8421152145890

**FEATURES**

Decorative island hood  
Push buttons control  
Rim extraction  
Remote control  
3 speeds + 1 intensive  
Free Outlet exhaust capacity (m<sup>3</sup>/h): 920  
Max speed exhaust capacity (m<sup>3</sup>/h): 631  
Min speed exhaust capacity (m<sup>3</sup>/h): 315  
Intensive speed exhaust capacity (m<sup>3</sup>/h): 807  
Intensive speed sound level (dBA): 66  
Max speed sound level (dBA): 60  
Min speed sound level (dBA): 47  
4 LED lamps  
4 Aluminum filter  
Stop delay timer  
Filter saturation indicator  
Operating pilot light  
Anti-return valve included  
Outlet reduction included  
Optional recirculation kit with tube cover installation: ZUB 9015



## DIMENSIONS

**Product height (mm):** 305  
**Product width (mm):** 1200  
**Product depth (mm):** 600  
**Product length (mm):**  
**Net weight (Kg):** 27,9

## TECH SPECS

### PARTICULAR CHARACTERISITICS

**Certificates:** CE; CB; Rohs  
**Ø Outlet (mm):** 150  
**Type of inner light:** LED  
**Inside light Consumption (W):** 3  
**Power rate (V):** 220240  
**Frequency (Hz):** 50  
**Total hood power (W):** 292  
**Number of motors:** 1  
**Motor power (W):** 280

### ACCESSORIES

**Anti Return valve:** Yes  
**Outlet reduction:** Yes  
**Optional Charcoal Filter:** C2RKP  
**Conventional recirculation kit (opt) - w/o tube cover:** CFR 30480  
LOE

### MODELS

**Number of filters:** 4  
**Filter description:** Aluminum  
**Control panel:** Electronic with remote control

**Remote control:** Yes

**Stop delay timer:** Yes

**Filter saturation indicator:** Yes



DHT 1285

ENERGY LABEL

