



RMF 99250 SS 4-Door No Frost refrigerator in 193 cm



Motor Inverter



On Holidays function



Eco Function



LED



LongLife No Frost

DESCRIPTION

4-Door No Frost refrigerator in 193 cm

LIFE STYLE

Maestro

COLOURS



REFERENCE

REF. 113430007
EAN. 8434778002423

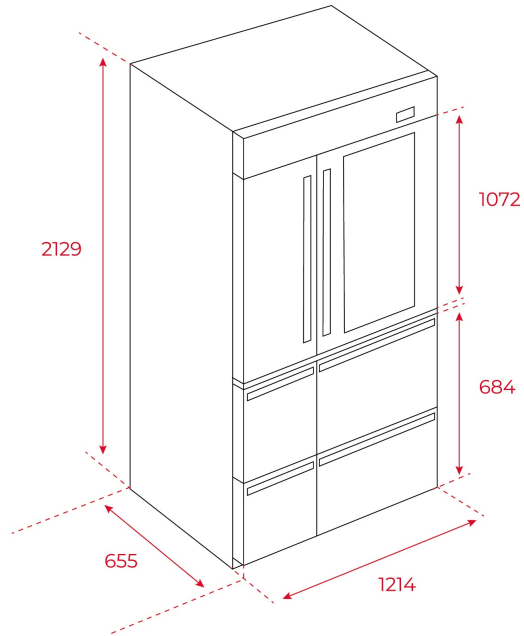


TEKA

RMF 99250 SS

FEATURES

Free Standing bottom freezer refrigerator
LongLife No Frost with 2 independent circuits
Inverter motor
Outer control display
Electronic adjustable thermostat
Safety glass shelves
Automatic ice maker
On holidays function
Fast freezing and fast cooling function
ECO Function
LED Illumination
Climate class: SN/T
Total capacity (gross/net): 820 / 713 litres
Bottle rack included



DIMENSIONS

Product height (mm): 2120
Product width (mm): 1210
Product depth (mm): 710
Product length (mm):
Net weight (Kg): 328

TECH SPECS

PRODUCT SHEET

Cooling system: LongLife No Frost
No Frost In Refrigerator Compartment: Yes
No Frost in freezer compartment: Yes
Total gross capacity (litres): 820
Refrigerator compartment capacity (litres): 466
Freezer compartment capacity (litres): 247
Freezer classification: 4
Freezing capacity: 13,0
Temperature Rise Time (h): 13
Climate class: SN/T
Noise level (dB): 48

POWER SUPPLY

Frequency (Hz): 50
Power rate (V): 220-240
Power rate (W): 391
Defrost element power (W): 430

PARTICULAR CHARACTERISTICS

Type of installation: Free standing
Automatic defrosting in the refrigeration compartment: Yes

Automatic defrosting in the freezer compartment: Yes
Electronic adjustable thermostat: Yes
Display on door: Yes
Fingerprint proof door: Yes
Antibacterial treatment: NO
Freezing set button: Yes
Cooling set button: Yes
Lock function: Yes
Fast freezing: Yes
Fast Cooling Function: Yes
On Holidays Function: Yes
ECO function: Yes
Inner light: Yes
Type of inner light: Multi LED Illumination
External handle: Yes
Integrated handle: Yes

CONTROL INDICATOR LIGHTS

Operating light fridge: Yes
Operating light freezer: Yes
Freezer compartment temperature display: Yes
Fast freezing indicator: Yes

EQUIPMENT

Antibacterial gasket: Yes
Multipurpose compartment: NO
Automatic ice maker: Yes
Bottle rack type: Bottle drawer with rails
Roller (rear): Yes
Roller (front): Yes

PRODUCT INFORMATION SHEET (UE) 2019/2016

Supplier name or trademark: TEKA

Type of refrigerating appliance

Overall dimensions (mm)

Energy efficiency class: A++

Climate class: SN/T

Light source parameters

Minimum duration of the guarantee offered by the manufacturer (b): 24

Light source parameters

Minimum duration of the guarantee offered by the manufacturer (Years) (b): 24

Additional information:

Weblink to the manufacturer's website, where the information in point 4(a) Annex of Commission Regulation (EU) 2019/2019 (1) (b) is found: www.teka.com

(a) as determined in accordance with Commission Delegated Regulation (EU) 2019/2015 (2).

(b) changes to these items shall not be considered relevant for the purposes of point 4 of Article 4 of Regulation (EU) 2017/1369.

(c) if the product database automatically generates the definitive content of this cell the supplier shall not enter these data.

(1) Commission Regulation (EU) 2019/2019 of 1 October 2019 laying down ecodesign requirements for refrigerating appliances pursuant to Directive 2009/125/EC of the European Parliament and of the Council and repealing Commission Regulation (EC) No 643/2009 (see page 187 of this Official Journal).(2)

(2) Commission Delegated Regulation (EU) 2019/2015 of 11 March 2019 supplementing Regulation (EU) 2017/1369 of the European Parliament and of the Council with regard to energy labelling of light sources and repealing Commission Delegated Regulation (EU) No 874/2012 (see page 68 of this Official Journal).

