



**DLV 99670 TOS BK** Urban Colors Edition. Vertical decorative hood with Rim extraction system, 90cm



LED



Perimeter extraction



Stop Delay Timer



Fresh AIR

**DESCRIPTION**

Urban Colors Edition. Vertical decorative hood with Rim extraction system, 90cm

**COLOURS**



**REFERENCE**

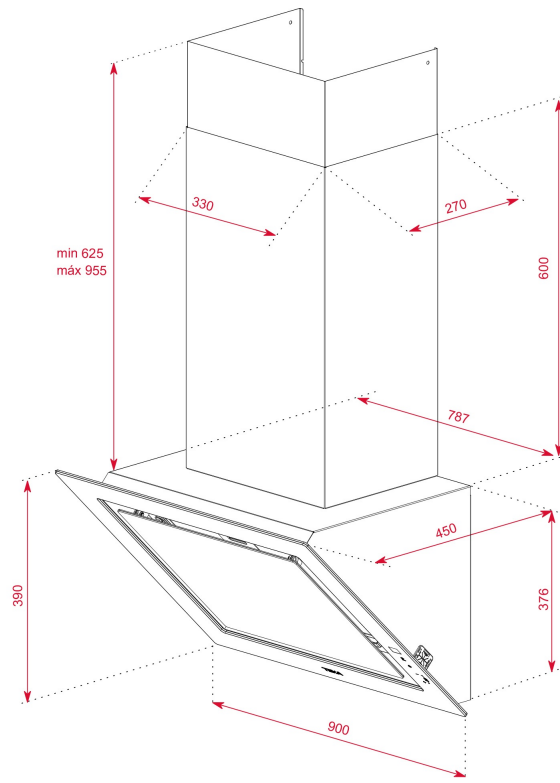
REF. 112930038  
EAN. 8434778012798

**FEATURES**

Urban Colors Edition  
Decorative vertical hood  
Touch control with display  
FreshAir function  
3 speeds + 1 intensive  
Intensive speed exhaust capacity (m<sup>3</sup>/h): 920  
Max speed exhaust capacity (m<sup>3</sup>/h): 625  
Min speed exhaust capacity (m<sup>3</sup>/h): 210  
Intensive speed sound level (dBA): 72  
Max speed sound level (dBA): 65  
Min speed sound level (dBA): 39  
1 LED lamp  
2 aluminium filters  
Stop delay timer  
Filter saturation indicator  
Anti-return valve included  
Outlet reduction included  
Optional recirculation kit with tube cover installation: CFH 15200 L3C  
Optional regenerative recirculation kit with tube cover installation: RFH 15200 L3C  
Optional recirculation kit without tube cover installation: CFH 15200 O2C  
Optional regenerative recirculation kit without tube cover installation: RFH 15200 O2C  
Optional Charcoal Filter: C1RTK  
Optional Regenerative filter: R1RTK

## DIMENSIONS

**Product height (mm):** 1001-1331  
**Product width (mm):** 900  
**Product depth (mm):** 450  
**Product length (mm):**  
**Net weight (Kg):** 21



## TECHNICAL DETAILS

### FEATURES

**Ø Outlet (mm):** 150  
**Removable oil collector:** Yes  
**Type of inner light:** LED BAR  
**Inside light Consumption (W):** 7,5  
**Plug type:** Schuko plug  
**Cable Connection Length (cm):** 100  
**Power rate (V):** 220-240  
**Frequency (Hz):** 50/60  
**Total hood power (W):** 228  
**Number of motors:** 1  
**Motor power (W):** 220  
**Air flow (Qmin) m<sup>3</sup>/h:** 210  
**Air flow (Qmax):** 625  
**Air flow (Qboost):** 920

### ACCESSORIES

**Anti Return valve:** Yes  
**Outlet reduction:** Yes  
**Outlet extension:** No  
**Optional Charcoal Filter:** C1RTK  
**Regenerative charcoal filter:** R1RTK

**Conventional recirculation kit (opt) - w/tube cover:** CFH 15200  
L3C  
**Regenerative recirculation kit (opt) - w/tube cover:** RFH 15200  
L3C  
**Conventional recirculation kit (opt) - w/o tube cover:** CFH 15200  
O2C  
**Regenerative recirculation kit (opt) - w/o tube cover:** RFH  
15200 O2C

## **MODELS**

**Number of filters:** 2  
**Filter description:** Aluminum filters  
**Opening system:** Piston  
**Control panel:** Touch control white display  
**Stop delay timer:** Yes  
**Filter saturation indicator:** Yes  
**Time clock:** Yes  
**Number of speeds:** 3 + 1  
**Fresh air function:** Yes



DLV 99670 TOS BK

ENERGY LABEL

The energy label for the TEKA DLV 99670 TOS BK is a rectangular sticker with a blue border. At the top left is the European Union flag. To its right is the word "ENERG" in large blue letters, with "енергия · енергiя" in smaller text below it. Further right are four small circles containing the letters Y, A, IE, and IA. Below this header, the brand name "TEKA" and model number "DLV 99670" are printed. The central feature is a vertical scale of seven colored arrows pointing to the right, representing energy efficiency classes: A+++ (dark green), A++ (green), A+ (light green), A (yellow), B (orange), C (dark orange), and D (red). A black arrow points to the A+++ class. To the right of the scale, a black box contains the text "A+++". Below the scale, a white box with a blue border contains the number "26" and "kWh/annum" below it. At the bottom of the label are four icons in rounded rectangles: a fan, a lightbulb, water droplets, and a speaker. Below each icon is a scale from A to G. The fan icon has "A B C D E F G" below it. The lightbulb icon has "A B C D E F G" below it. The water droplets icon has "A B C D E F G" below it. The speaker icon has "65 dB" below it. At the very bottom left of the label is the text "65/2014".