



**TKI4 350 SD UK** Built-in refrigerator with manual defrost and adjustable thermostat



Inverter

Motor Inverter



90

Easy 90



Fresh Box



LED

LED

**DESCRIPTION**

Built-in refrigerator with manual defrost and adjustable thermostat

**LIFE STYLE**

Total

**COLOURS**



**REFERENCE**

REF. 113570013  
EAN. 8434778014419

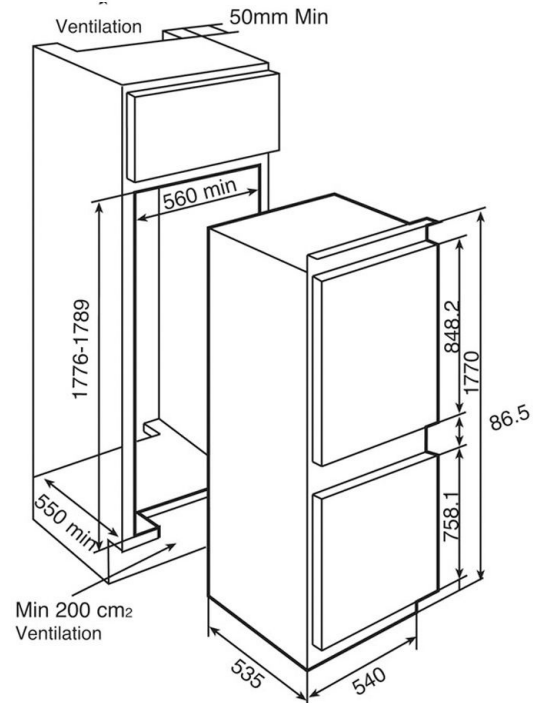


**TEKA**

**TKI4 350 SD UK**

**FEATURES**

Built-in bottom freezer refrigerator  
Manual defrost  
Manual adjustable thermostat  
4 safety glass shelves  
FreshBox drawers  
Front adjustable feet  
LED Illumination  
Reversible doors  
Climate class: SN/ST  
Total capacity (gross/net): 265 / 265 litres  
Ices cube tray and bottle rack included



## DIMENSIONS

**Product height (mm):** 1775  
**Product width (mm):** 540  
**Product depth (mm):** 545  
**Product length (mm):**  
**Net weight (Kg):** 59,5

## TECH SPECS

### FITTING MEASURES

**Built-in height (mm):** 1775  
**Built-in niche (cm):** 178

### PRODUCT SHEET

**Cooling system:** Defrost  
**Total gross capacity (litres):** 265  
**Refrigerator compartment capacity (litres):** 163  
**Freezer compartment capacity (litres):** 102  
**Freezer classification:** 4  
**Freezing capacity:** 4,8  
**Annual Consumption (kWh/year):** 287  
**Temperature Rise Time (h):** 14  
**Climate class:** SN/ST  
**Noise level (dB):** 37  
**Certificates:** CB; CE; TUV; VDE

### POWER SUPPLY

**Frequency (Hz):** 50  
**Power rate (V):** 220-240  
**Power rate (W):** 90  
**Energy consumption (kw/day):** 0,797

## PARTICULAR CHARACTERISTICS

**Plug type:** UK  
**Cable Connection Length (cm):** 1900

**Type of installation:** Built-in  
**Automatic defrosting in the refrigeration compartment:** Yes  
**Control panel:** Mechanical  
**Antibacterial treatment:** NO  
**Inner light:** Yes  
**Type of inner light:** LED on Ceiling  
**Reversible doors:** Yes

## EQUIPMENT

**Chromed bottle rack:** 4  
**Antibacterial gasket:** Yes  
**Multipurpose compartment:** NO  
**Ice cubes tray:** 1  
**Bottle rack type:** CHROMED  
**Adjustable Feet Back:** Yes  
**Adjustable feet front:** Yes  
**Number of shelves:** 4  
**Vegetable drawers:** 1  
**Temperature and humidity regulation in drawers:** FRESH BOX

## PRODUCT INFORMATION SHEET (UE) 2019/2016

**Supplier name or trademark:** TEKA  
**Supplier's address:** C/Cajo, 17, 39011, Santander , Spain  
**Model identifier:** TKI4 350 SD UK

### Type of refrigerating appliance

**Low-noise appliance:** 0  
**Design type:** Built-in  
**Wine storage appliance:** 0  
**Other refrigerating appliance:** 1

### Overall dimensions (mm)

**Height:** 1775  
**Width:** 540  
**Depth:** 545  
**Total volume (dm<sup>3</sup> or l):** 365  
**Energy efficiency class:** F  
**Airborne acoustical noise emission class:** C  
**Annual energy consumption (kWh/a):** 287  
**Climate class:** SN/ST  
**Minimum ambient temperature (°C), for which the refrigerating appliance is suitable:** 5  
**Maximum ambient temperature (°C), for which the refrigerating appliance is suitable:** 38  
**Winter setting YES/NO:** 0  
**Compartment 1:** Fresh food  
**Compartment 1 - Compartment Volume (l):** 163  
**Compartment 1 - Recommended temperature setting for optimised food storage (°C):** 2 Celsius  
**Compartment 1 - Freezing capacity (kg/24h):** A  
**Compartment 1 - Defrosting type:** NA  
**Compartment 1 - Target temperature (°C):** NA  
**Compartment 1 - Thermodynamic parameter (rc):** NA  
**Compartment 1 - Nc:** NA  
**Compartment 2:** 4-star  
**Compartment 2 - Compartment Volume (l):** 102  
**Compartment 2 - Recommended temperature setting for optimised food storage (°C):** 2 Celsius  
**Compartment 2 - Freezing capacity (kg/24h):** 4,7  
**Compartment 2 - Defrosting type:** M  
**Compartment 2 - Target temperature (°C):** NO

**Compartment 2 - Thermodynamic parameter (rc): NA**

**Compartment 2 - Nc: NA**

**Light source parameters**

**Light source - Type of light source:** LED on Ceiling

**Minimum duration of the guarantee offered by the manufacturer (b): 24**

**Light source parameters**

**Light source - Type of light source:** LED on Ceiling

**Minimum duration of the guarantee offered by the manufacturer (Years) (b): 24**

**Additional information:**

Weblink to the manufacturer's website, where the information in point 4(a) Annex of Commission Regulation (EU) 2019/2019 (1) (b) is found: [www.teka.com](http://www.teka.com)

(a) as determined in accordance with Commission Delegated Regulation (EU) 2019/2015 (2).

(b) changes to these items shall not be considered relevant for the purposes of point 4 of Article 4 of Regulation (EU) 2017/1369.

(c) if the product database automatically generates the definitive content of this cell the supplier shall not enter these data.

(1) Commission Regulation (EU) 2019/2019 of 1 October 2019 laying down ecodesign requirements for refrigerating appliances pursuant to Directive 2009/125/EC of the European Parliament and of the Council and repealing Commission Regulation (EC) No 643/2009 (see page 187 of this Official Journal).(2)

(2) Commission Delegated Regulation (EU) 2019/2015 of 11 March 2019 supplementing Regulation (EU) 2017/1369 of the European Parliament and of the Council with regard to energy labelling of light sources and repealing Commission Delegated Regulation (EU) No 874/2012 (see page 68 of this Official Journal).

