



MWE 202 FI Microwave + grill of 20L



Defrost By
Time



Defrost By
Weight



Direct Access
Menu



20L

DESCRIPTION

Microwave + grill of 20L

LIFE STYLE

Easy

COLOURS

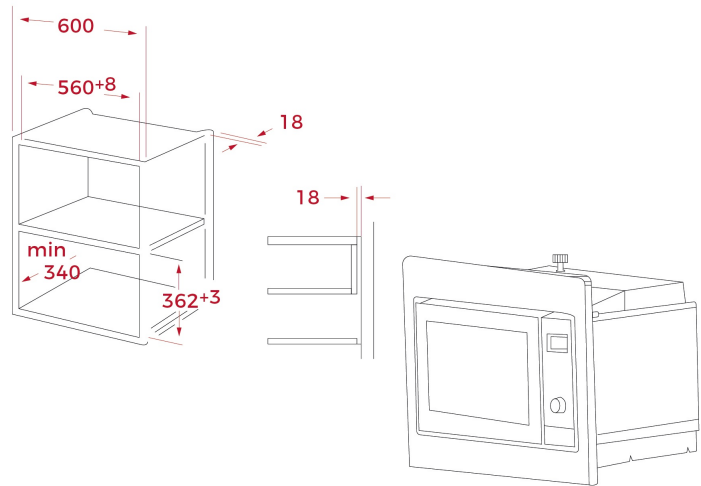


REFERENCE

REF. 40581102
EAN. 8421152127193

FEATURES

Built-in Microwave + Grill
3 cooking functions
8 direct access menus
5 power levels, 1250 W
Grill power: 1000 W
Defrost by time and weight
Touch control display with knobs and minute minder
Double glazed door with right opening
Children safety lock
LED inner light
Capacity (gross/net): 20,31 / 20 litres
Stainless steel cavity



DIMENSIONS

Product height (mm): 340
Product width (mm): 463
Product depth (mm): 343
Product length (mm):
Net weight (Kg): 15,0

TECH SPECS

PARTICULAR CHARACTERISITICS

Certificates: GS / EMC
Number of cooking functions: 3
Grill function: Yes
Minute Minder: Yes
Number of guide levels (lower cavity): 0
Microwave function: Yes
Microwave + Grill function: Yes
Number of power levels: 5

ELECTRIC CONNECTION

Maximum Nominal Power (W): 1250
Frequency (Hz): 50
Power rate (V): 230
Inside light Consumption (W): 20

ENERGY CONSUMPTION

Grill (W): 1000
Turbo (W): 0

SECURITY SYSTEM

Children safety block option: Yes

Safety Thermostat: Yes

ACCESSORIES

Glass Tray: 1

Crunch plate: 0

