



**CLC 855 GM** Built-in Coffee Maker with 30 programs and 15 bar pressure



Coffee beans



Ground coffee

**DESCRIPTION**

Built-in Coffee Maker with 30 programs and 15 bar pressure

**LIFE STYLE**

Maestro

**COLOURS**



**REFERENCE**

REF. 111630001  
EAN. 8434778004120



**TEKA**

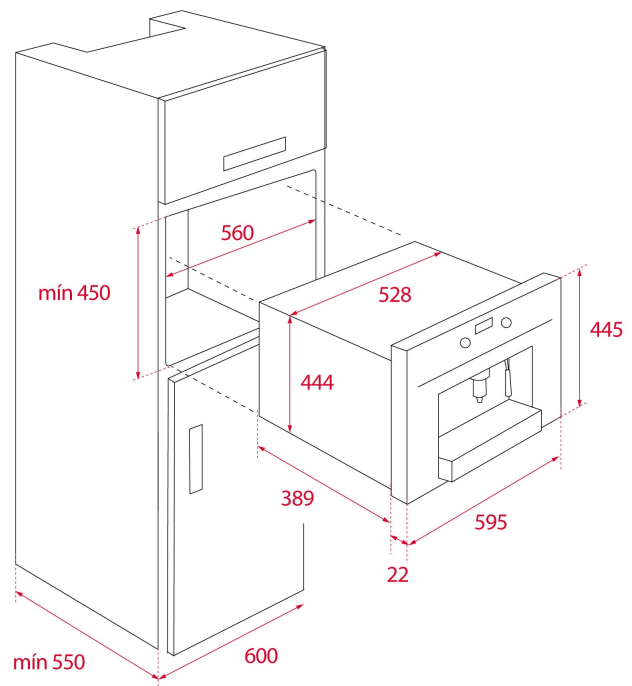
**CLC 855 GM**

## **FEATURES**

Urban Colors Edition  
Automatic built-in coffee machine  
Self-cleaning function  
Intensity and coffee size regulation  
Touch control display with knobs  
30 automatic programs  
Capacity: 2 cups at once  
Adjustable height system for different cup sizes  
Milk frother and hot water pipe  
Integrated steel grinder for natural coffee beans  
Coffee beans container, 200 grams capacity  
Availability for ground coffee  
15 bar pump pressure  
1.8 litres water tank  
Waste container  
Descaling function  
Installation with telescopic rails for easy pull out of the coffee maker

## DIMENSIONS

**Product height (mm):** 455  
**Product width (mm):** 595  
**Product depth (mm):** 412  
**Product length (mm):**  
**Net weight (Kg):** 23



## TECH SPECS

### FITTING MEASURES

**Built-in Width (mm):** 560  
**Built-in Depth (mm):** 550  
**Built-in height (mm):** 450

### PARTICULAR CHARACTERISTICS

**Type of installation:** Built-in  
**Certificates:** IMQ/CCC  
**Pump pressure (Bar):** 15  
**Pump power (W):** 50  
**Control panel:** Electronic  
**Fingerprint proof:** Yes  
**Number of programs:** 30  
**Number of cups:** 2  
**Adjustable coffee dispenser:** Yes  
**Retractable pipe for steam and hot water:** Yes  
**Grinded coffee:** Yes  
**On/Off function:** Yes  
**Steamer:** Yes  
**Hot Water:** Yes  
**Clock (option in menu):** Yes  
**Descaling (option in menu):** Yes  
**Coffee temperature (option in menu):** Yes  
**Selected function indicator:** Yes  
**Full water tank indicator:** Yes

**Ground too fine, adjust mill indicator:** Yes

**Lack of coffee beans indicator:** Yes

**Empty coffee drawer indicator:** Yes

**Insert coffee drawer (missing) indicator:** Yes

**Generic Alarm:** Yes

