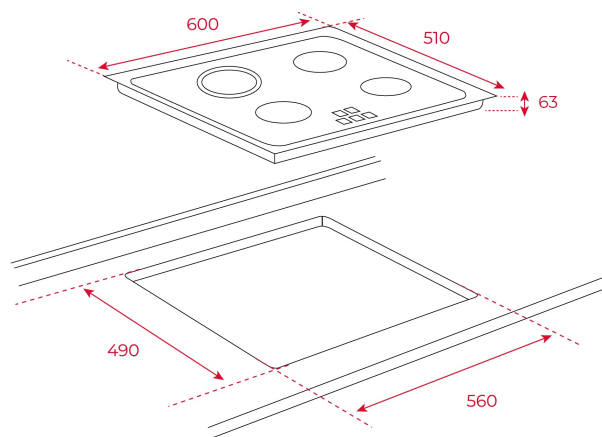


Autolock



Power Plus

Easy  
installation

## REFERENCE

REF: 40239032

EAN: 8421152148235

## FEATURES

Vitreoceramic hob  
 Touch Control  
 3 cooking zones  
 1 high lights Ø 210/270 mm  
 1 high lights Ø 180 mm  
 1 high lights Ø 145 mm  
 Ceramic glass surface  
 Easy installation kit  
 Maximum nominal power 5400 W  
 Optional: Grilling plate  
 Optional: Teppanyaki

## DIMENSIONS

**Product height (mm):** 51**Product width (mm):** 600**Product depth (mm):** 510**Product length (mm):****Net weight (Kg):** 8,7

## TECHNICAL DETAILS

Power rate (V): 220-240

Frequency (Hz): 50/60

Maximum Nominal Power (W): -

## COLOURS



40239032

Black glass

## ENERGY EFFICIENCY

Power consumption in standby mode (W): -

Time to reach standby mode (min): -