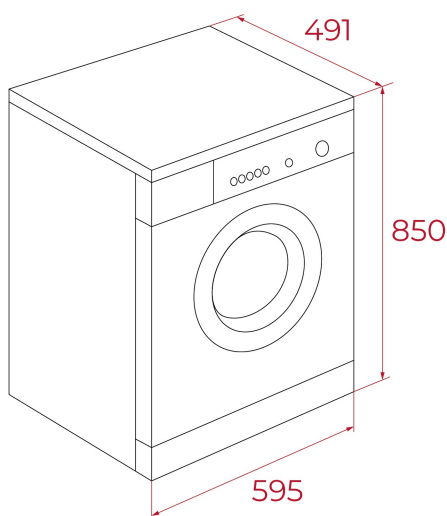


TEKA**WMK 40840 WH**

Washing machine with 8 kg capacity and 15 programs

Quick
Cycle**REFERENCE**

REF: 113910018

EAN: 8434778032611

FEATURES

Free standing
Electronic control panel
Washing capacity: 8 kg
15 washing programs
Special programs: Fast: 15 minutes, ECO mode, Wool, Delicate, Sport, Cotton, BabyCare, Jeans
Special functions: Delay timer, Speed wash, Steam, Extra rinse, Prewash, DrumClean reminder, Mute
Maximum spinning speed: 1400 RPM
Automatic water regulation
Automatic door lock safety system
Child lock
Balance control system
SoftCare drum
28,8 cm wide porthole door

DIMENSIONS**Product height (mm):** 850**Product width (mm):** 595**Product depth (mm):** 533**Product length (mm):****Net weight (Kg):** 60**TECHNICAL DETAILS**

Energy efficiency class (UE 2019/2016): A

Washing performance Class: /

Spinning efficiency class: B

Water consumption (litres/year): /

Noise Level (dBA): + 76

Power rate (V): 220-240 V~

Frequency (Hz): 50 Hz

COLOURS

113910018 White