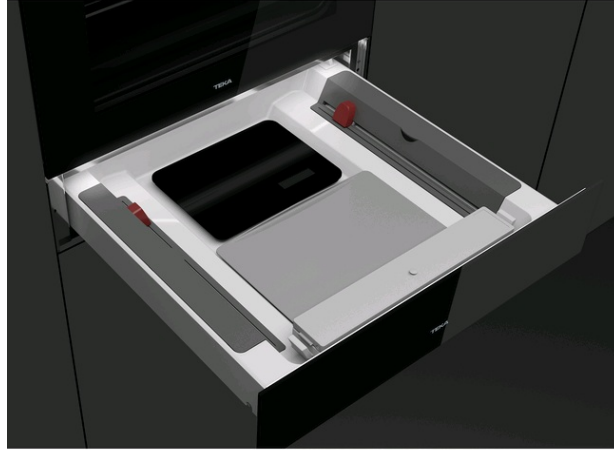




**VS 1520 GS** Vacuum sealing machine with kitchen scale and soft-close



**DESCRIPTION**

Vacuum sealing machine with kitchen scale and soft-close

**LIFE STYLE**

Maestro

**COLOURS**

**REFERENCE**

REF. 111600004  
EAN. 8434778008913



**TEKA**

**VS 1520 GS**

**FEATURES**

Vacuum sealing machine

Storage for accessories

Kitchen scale

Protecting cover for kitchen scale

Roll holder for aluminum foil

Roll holder for cling film

Soft-close

Self-closing

Frontal glass not included. 4 options available:

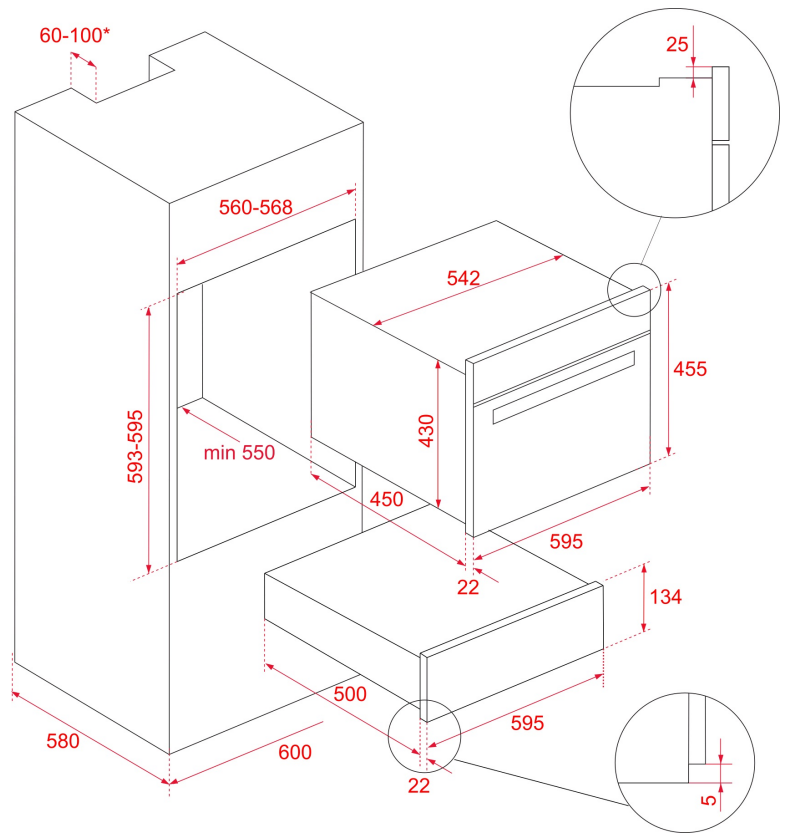
111890002 -Night River Black

111890003 - White Marble

111890004 - Stone Grey

111890005 - Steam Grey

111890006 - London Brick Brown



## DIMENSIONS

Product height (mm): 250  
Product width (mm): 645  
Product depth (mm): 670  
Product length (mm):  
Net weight (Kg):

## TECH SPECS

### PARTICULAR CHARACTERISTICS

Certificates: CE  
Number of cavities: 2  
Number of guide levels: 0  
Number of guide levels (lower cavity): 0  
Door handle: Push-pull

### ELECTRIC CONNECTION

Maximum Nominal Power (W): 115  
Frequency (Hz): 50  
Power rate (V): 220-240  
Cable Connection Length (cm): 110  
Plug type: Schuko

