



DBB 90 SS Pyramidal decorative hood with push buttons controls, 90cm



LED

DESCRIPTION

Pyramidal decorative hood with push buttons controls, 90cm

COLOURS

REFERENCE

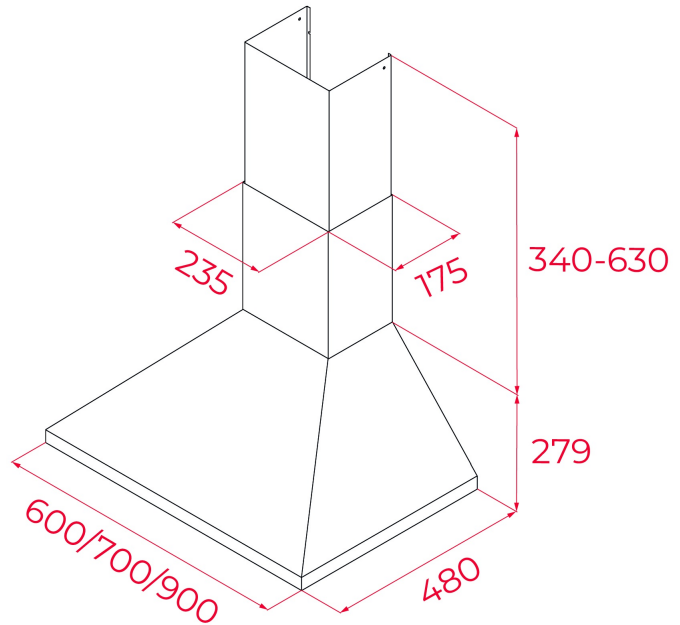
REF. 40460440
EAN. 8421152069660



DBB 90 SS

FEATURES

Decorative pyramidal hood
Push buttons control
3 speeds
Free Outlet exhaust capacity (m³/h): 475
Max speed exhaust capacity (m³/h): 440
Min speed exhaust capacity (m³/h): 234
Max speed sound level (dBA): 54
Min speed sound level (dBA): 44
2 LED lamps
3 Aluminium filters
Operating pilot light
Anti-return valve included
Outlet reduction included
Optional recirculation kit with tube cover installation: SET 1/M1
Optional Charcoal Filter: D4C



DIMENSIONS

Product height (mm): 749-1049

Product width (mm): 900

Product depth (mm): 480

Product length (mm):

Net weight (Kg): 9,5

TECHNICAL DETAILS

FEATURES

Certificates: CE; CB
Ø Outlet (mm): 150
Type of inner light: LED
Inside light Consumption (W): 5
Plug type: European plug
Power rate (V): 220-240
Frequency (Hz): 50/60
Total hood power (W): 115
Number of motors: 1
Motor power (W): 105
Air flow (Qmin) m³/h: 234
Air flow (Qmax): 440
Air flow (Qboost): 0

ACCESSORIES

Anti Return valve: Yes
Outlet reduction: Yes
Optional Charcoal Filter: C1RTK
Regenerative charcoal filter: R1RTK
Conventional recirculation kit (opt) - w/tube cover: CFH 15200 L2C

Regenerative recirculation kit (opt) - w/tube cover: RFH 15200
L2C

MODELS

Number of filters: 3

Filter description: Aluminum

Control panel: Rectangular Push Buttons

Number of speeds: 3



DBB 90 SS

ENERGY LABEL

The energy label for the TEKA DBB 90 INOX VR01 model includes the following information:

- Brand and Model:** TEKA DBB 90 INOX VR01
- Energy Efficiency Class:** D (indicated by a black arrow pointing to the 'D' class on the scale)
- Energy Consumption:** 62 kWh/annum
- Energy Efficiency Scale:** A++, A+, A, B, C, D, E (represented by colored arrows)
- Additional Information:** Four icons representing different energy-related metrics: a fan (ABCDEF), a light bulb (ABCDEF), water droplets (ABCDEF), and a speaker (60dB).
- Regulation:** 65/2014