



EWH 15 C Water heater with vertical installation and 15L capacity



Dry Heating Protection



Humidity Control



Overheating Protection



Slim heater

DESCRIPTION

Water heater with vertical installation and 15L capacity

LIFE STYLE

Easy

COLOURS



REFERENCE

REF. 111720000
EAN. 8434778012941



TEKA

EWH 15 C

FEATURES

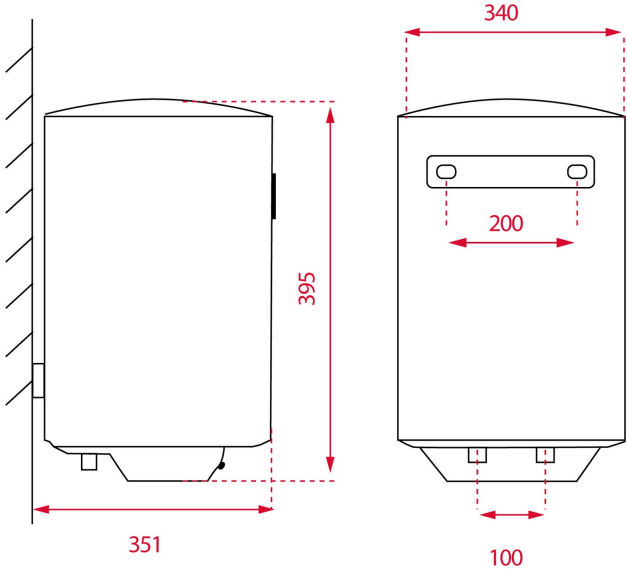
Vertical installation
Capacity: 15 litres
Average number of users: 1-2
Enamelled heating element
Temperature regulation 30° - 75° C
Max input pressure: 0.75 Mpa
Thermometer
Over-pressure protection
Over-heating protection
Humidity protection
Dry-heating protection
Power rate: 1500 W
Isolation thickness: 20 mm



EWH 15 C

DIMENSIONS

- Product height (mm):** 395
- Product width (mm):** 340
- Product depth (mm):** 340
- Product length (mm):**
- Net weight (Kg):** 10,2



TECH SPECS

ELECTRIC CONNECTION

- Frequency (Hz):** 50/60
- Power rate (V):** 220-240
- Plug type:** EU, 1m

ENERGY EFFICIENCY

Energy Efficiency Class: B

MODELS

Control panel: MECHANICAL



EWH 15 C

ENERGY LABEL

