



GFL 57650 EOS IX Built-in filter hood with Rim extraction and 3 speeds, 50cm



LED



Perimeter extraction



Stop Delay Timer

DESCRIPTION

Built-in filter hood with Rim extraction and 3 speeds, 50cm

COLOURS

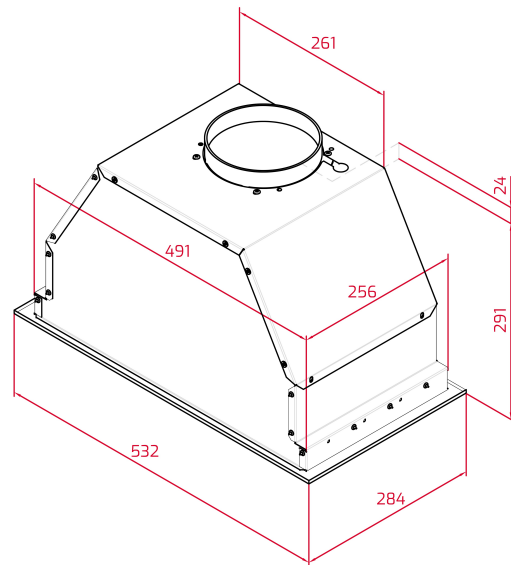


REFERENCE

REF. 113100002
EAN. 8434778016369

FEATURES

Built-in filter group
Rim extraction
Electronic control
3 speeds + 1 intensive
Free Outlet exhaust capacity (m³/h): 800
Max speed exhaust capacity (m³/h): 559
Min speed exhaust capacity (m³/h): 285
Intensive speed exhaust capacity (m³/h): 646
Intensive speed sound level (dBA): 71
Max speed sound level (dBA): 66
Min speed sound level (dBA): 52
2 LED Lamps
1 Aluminium filter
Stop Delay Time
Operating pilot light
Anti-return valve included
Outlet reduction included
Optional Charcoal Filter: C01RTK



DIMENSIONS

Product height (mm): 316
Product width (mm): 532
Product depth (mm): 284
Product length (mm):
Net weight (Kg): 9

TECHNICAL DETAILS

FEATURES

Ø Outlet (mm): 150
Type of inner light: LED
Inside light Consumption (W): 7,4
Plug type: Shucko
Cable Connection Length (cm): 100
Power rate (V): 220-240
Frequency (Hz): 50/60
Total hood power (W): 288
Number of motors: 1
Motor power (W): 280
Air flow (Qmin) m³/h: 285
Air flow (Qmax): 559
Air flow (Qboost): 646

ACCESSORIES

Anti Return valve: Yes
Outlet reduction: Yes
Outlet extension: No
Optional Charcoal Filter: C01RTK
Regenerative charcoal filter: No
Conventional recirculation kit (opt) - w/tube cover: No

Regenerative recirculation kit (opt) - w/tube cover: No
Conventional recirculation kit (opt) - w/o tube cover: No
Regenerative recirculation kit (opt) - w/o tube cover: No

MODELS

Number of filters: 1

Filter description: Aluminum Filter

Opening system: Manual

Control panel: Electronic

Stop delay timer: Yes

Number of speeds: 3 + 1



GFL 57650 EOS IX

ENERGY LABEL

