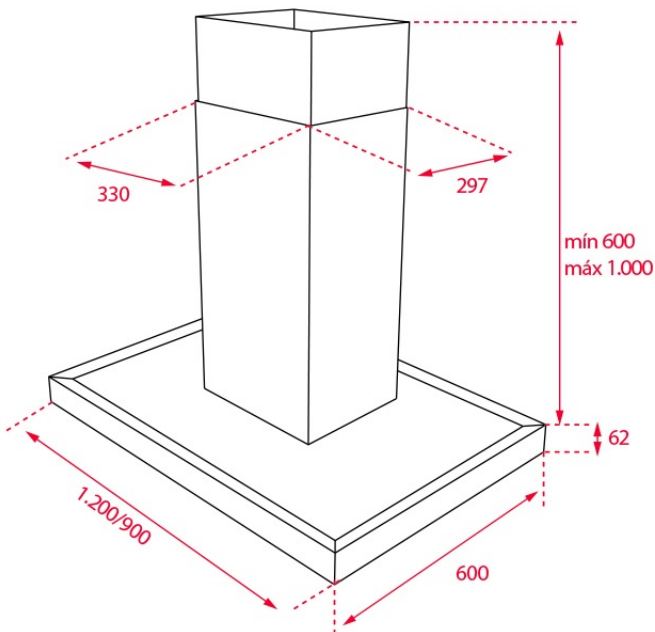


DH2 ISLA 1285

Decorative hood with touch control display and EcoPower motor, 120cm



LED

Stop Delay
Timer**REFERENCE**

REF: 40484670

EAN: 8421152145739

FEATURES

Decorative horizontal island hood
 Electronic control with display
 3 speeds + 1 intensive
 Free Outlet exhaust capacity (m³/h): 920
 Intensive speed exhaust capacity (m³/h): 796
 Max speed exhaust capacity (m³/h): 605
 Min speed exhaust capacity (m³/h): 311
 Intensive speed sound level (dBA): 71
 Max speed sound level (dBA): 66
 Min speed sound level (dBA): 52
 4 LED lamps
 2 Aluminium filters
 Stop delay timer
 Filter saturation indicator
 Easy-Clean Inside Panel
 Operating pilot light
 Optional Charcoal Filter: D4C

DIMENSIONS**Product height (mm):****Product width (mm):****Product depth (mm):****Product length (mm):****Net weight (Kg):** 20,5**TECHNICAL DETAILS**

Energy Efficiency Class: 0
 Noise (LwA) Min Speed (dB): 0
 Noise (LwA) Max Speed (dB): 0
 Noise (LwA) Boost Speed (dB): 0
 Ø Outlet (mm): 150

COLOURS

40484670 Stainless steel



40484671 Stainless steel