



REFERENCE

REF: 339150200

EAN: 8421152090381

FEATURES

High spout kitchen tap
 Flat design
 Swivel Spout
 Anti-scale aerator
 Cartridge with ceramic discs of high resistance
 Highly precise temperature control
 Greater handling sensitivity with smoother movements
 3/8" flexible inlet pipes

DIMENSIONS

Product height (mm): 302

Product width (mm):

Product depth (mm):

Product length (mm):

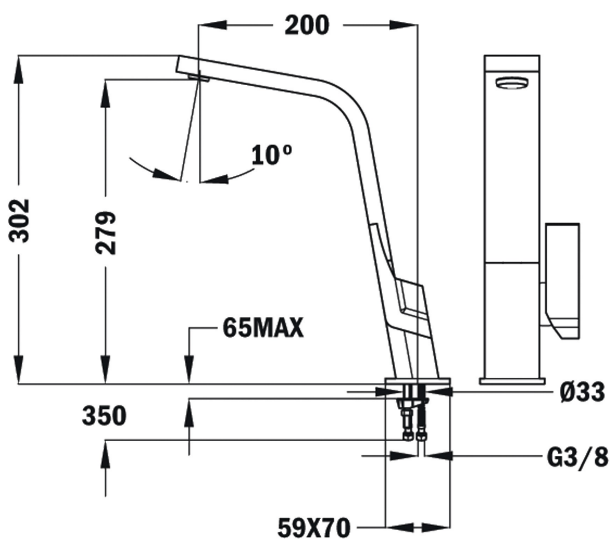
Net weight (Kg): 2,4




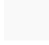
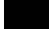
Anti-scale
aerator



Swivel
spout



COLOURS

	339150200	Chrome
	33915020N	White
	33915020N	Black