



TKS1 710 C 7kg Free Standing Dryer with capacity with 3 drying temperatures



Quick Cycle



Washing capacity: 7Kg

DESCRIPTION

7kg Free Standing Dryer with capacity with 3 drying temperatures

LIFE STYLE

Total

COLOURS



REFERENCE

REF. 40854000
EAN. 8421152126608

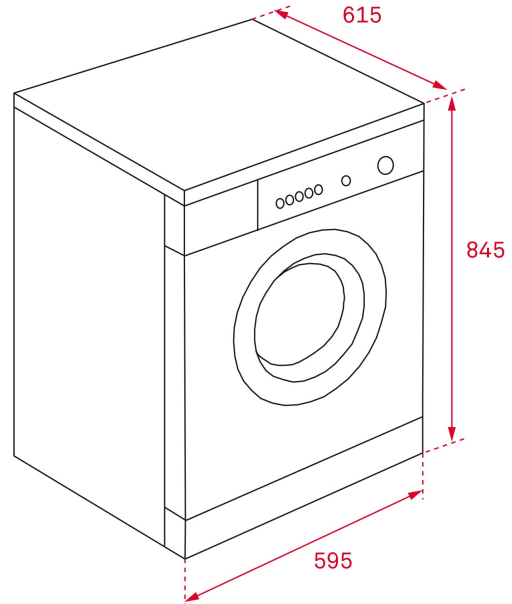


TEKA

TKS1 710 C

FEATURES

Free standing dryer
Condenser dryer
12 programmes
Drying capacity : 7 kg
Electronic control panel with display
Delay timer 1-19h
3 drying temperatures
Humidity sensor
Easy ironing program
Delicate clothing program clothing program
Automatic ventilation program
Bi-direction rotation
Remaining time indicator
Drum inner light
Energy class : B



DIMENSIONS

Product height (mm): 845
Product width (mm): 595
Product depth (mm): 615
Product length (mm):
Net weight (Kg): 43

TECH SPECS

PRODUCT SHEET

Type of load: FRONT
Type of installation: Free standing
Drying capacity (Kgs): 7
Condensation efficiency: B
Energy consumption per drying cycle (Full load) (kWh): 4.24
Energy consumption (kWh/year): 504
Duration of drying cycle (Full load) (minutes): 101
Automatic (sensor drying): Yes
Certificates: CE, VDE

POWER SUPPLY

Frequency (Hz): 50
Power rate (V): 220-240
Maximum Nominal Power (W): 2700
Nominal power motor (W): 200
Power of heating element (W): 2500

PARTICULAR CHARACTERISTICS

Glass door diameter (cms): 45,5
Number of programs: 12
Control panel: Electronic

CONTROL INDICATOR LIGHTS

Electronic washing management: Yes

Bidirectional rotation: Yes

Drum light: Yes

Drum: Galvanized

SPECIAL FUNCTIONS

Selected program indicator: Yes

Remaining time: Yes

Drying: Yes

Dryer timer: Yes

Fast program: Yes

Fast program (minutes): 65

Delayed Timer (h): 1-24

Delicate fabrics: Yes

Easy ironing/anti crease: Yes

EQUIPMENT

Adjustable Feet Back: Yes

Adjustable feet front: Yes

PRODUCT INFORMATION SHEET (UE) 2019/2014

Supplier's name or trade mark :

Supplier's address :

Model identifier :

General product parameters

Rated capacity for the eco 40-60 programme (Kg) :

Dimensions (cm)

Height :

Width :

Depth:

Consumption and efficiency

Energy Efficiency Index (a):

Energy efficiency class (a):

Washing efficiency index (a):

Rinsing effectiveness (g/kg) (a):

Energy consumption in kWh per cycle, based on the eco 40-60 programme. Actual energy consumption will depend on how the appliance is used.:

Water consumption in litre per cycle, based on the eco 40-60 programme. Actual water consumption will depend on how the appliance is used and on the hardness of the water.:

Maximum temperature inside the treated textile (a) (°C)

Rated capacity:

Half capacity:

Quarter capacity:

Remaining moisture content (a) (%)

Rated capacity:

Half:

Quarter:

Spin speed (a) (rpm)

Rated capacity:

Half:

Quarter:

Spin-drying efficiency class (a):

Eco 40-60 programme duration (a) (h:min)

Rated capacity:

Half:

Quarter:

Other

Type:

Airborne acoustical noise emissions in the spinning phase (a) (dB(A) re 1 pW):

Airborne acoustical noise emission class (a) (spinning phase):

Off-mode (W):

Standby mode (W):

Delay start (W) (if applicable):

Networked standby (W) (if applicable):

Minimum duration of the guarantee offered by the supplier (b):

This product has been designed to release silver ions during the washing cycle YES/NO:

Additional information:

Weblink to the supplier's website, where the information in point 9 of Annex II to Commission Regulation (EU) 2019/2023 (1) (b) is found:
(a) for the eco 40-60 programme.

(b) changes to these items shall not be considered relevant for the purposes of paragraph 4 of Article 4 of Regulation (EU) 2017/1369.

(c) if the product database automatically generates the definitive content of this cell the supplier shall not enter these data.

TECHNICAL DOCUMENTATION (UE) 2019/2014

Rated capacity for the eco 40-60 programme, at 0,5 kg intervals (c):

Energy consumption of the eco 40-60 programme at rated capacity (EW,full):

Energy consumption of the eco 40-60 programme at half rated capacity (EW,¹/₂):

Energy consumption of the eco 40-60 programme at quarter rated capacity (EW,¹/₄):

Weighted energy consumption of the eco 40-60 programme (EW):

Standard energy consumption of the eco 40-60 programme (SCEW):

Energy Efficiency Index (EEIW):

Water consumption of the eco 40-60 programme at rated capacity (WW,full):

Water consumption of the eco 40-60 programme at half rated capacity (WW,¹/₂):

Water consumption of the eco 40-60 programme at quarter rated capacity (WW,¹/₄):

Weighted water consumption (WW):

Washing efficiency index of the eco 40-60 programme at rated capacity (Iw):

Washing efficiency index of the eco 40-60 programme at half rated capacity (Iw):

Washing efficiency index of the eco 40-60 programme at quarter rated capacity (Iw):

Rinsing effectiveness of the eco 40-60 programme at rated capacity (IR):

Rinsing effectiveness of the eco 40-60 programme at half rated capacity (IR):

Rinsing effectiveness of the eco 40-60 programme at quarter rated capacity (IR):

Programme duration of the eco 40-60 programme at rated capacity (tw):

Programme duration of the eco 40-60 programme at half rated capacity (tw):

Programme duration of the eco 40-60 programme at quarter rated capacity (tw):

Temperature reached for minimum 5 min inside the load during eco 40-60 programme at rated capacity (T):

Temperature reached for minimum 5 min inside the load during eco 40-60 programme at half rated capacity (T):

Temperature reached for minimum 5 min inside the load during eco 40-60 programme at quarter rated capacity (T):

Spin speed in the spinning phase of the eco 40-60 programme at rated capacity (S):

Spin speed in the spinning phase of the eco 40-60 programme at half rated capacity (S):

Spin speed in the spinning phase of the eco 40-60 programme at quarter rated capacity (S):

Remaining moisture content for the eco 40-60 programme at rated capacity (Dfull):

Remaining moisture content for the eco 40-60 programme at half rated capacity (D1/2):

Remaining moisture content for the eco 40-60 programme at quarter rated capacity (D1/4):

Weighted remaining moisture content (D):

Airborne acoustical noise emissions during eco 40-60 programme (spinning phase):

Power consumption in 'off mode' (Po):

Power consumption in 'standby mode' (Psm):

Does 'standby mode' include the display of information?

YES/NO:

Power consumption in 'standby mode' (Psm) in condition of networked standby (if applicable):

Power consumption in 'delay start' (Pds) (if applicable):

Additional information:

(c) where appropriate, the references of the harmonised standards applied;

(d) where appropriate, the other technical standards and specifications used;

(e) the details and the results of calculations performed in accordance with Annex IV;

(f) a list of all equivalent models including the model identifier.



TKS1 710 C

ENERGY LABEL

The energy label for the TEKA TKS1 710 C washing machine is a vertical rectangular sticker with a blue border. At the top left is the European Union flag and the word "ENERG" in large letters, with "енергия · ενεργεια" below it. To the right are two circular icons: one with "Y IJA" and another with "IE IA". Below this is the TEKA logo and the model number "TKS1 710 C".

The central part of the label features a scale of energy efficiency classes from A+++ (green) to D (red). A black arrow points to the class "B". To the right of the scale is a dimension line indicating a width of 26mm.

Below the scale, the text "ENERGIA · ΕΝΕΡΓΙΑ · ΕΝΕΡΓΕΙΑ" and "ENERGIA · ENERGY · ENERGIE ENERGI" is followed by a box containing the number "504" and the unit "kWh/annum".

Below this are three icons: a washing machine, a clock, and a t-shirt. Under the clock icon is the number "128" and "min/cycle*". Under the t-shirt icon is "7,0" and "kg". Under the speaker icon is "69" and "dB".

At the bottom left is an icon of a water tap with a drop and the text "ABCDEFG". At the bottom right is a small note in multiple languages: "*Uusima - sykklus - porstion - sykklus; oploppstare - ciklus - toikket; ohjelma - ciklus - ciklus - ciklus; cikla - ciklus - cikla - cikla; cikla - ciklus - cikla - cikla; program - tarkomling." Below this note is the number "392/2012".