



LI5 1280 EU Built-In Washing Machine with 15 wasinhg programs



Quick Cycle



Washing capacity: 8Kg

DESCRIPTION

Built-In Washing Machine with 15 wasinhg programs

LIFE STYLE

Total

COLOURS



REFERENCE

REF. 40830060
EAN. 8421152150436



TEKA

LI5 1280 EU

FEATURES

Built-In Washing Machine

Washing Capacity: 8kg

Electronic control panel

Satinless Steel Drum

15 washing programs

Special Programs: Delicate Fabrics, Intensive and Resistant Fabrics
Wool

ECO Program

Fast Program: 14 minutes

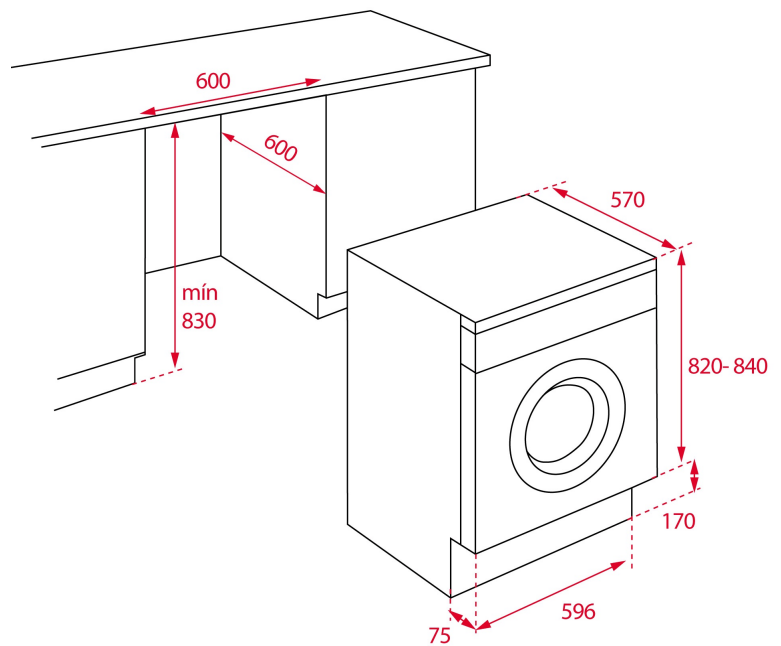
Functions: Fast, Stain Level, Kg Detector

Delay Timer: 1-24h

Child Lock

Maximum spin speed: 1200 RPM

Max. Nominal Power: 1600 (W)



DIMENSIONS

Product height (mm): 820

Product width (mm): 596

Product depth (mm): 570

Product length (mm):

Net weight (Kg): 68

TECH SPECS

PRODUCT SHEET

Type of load: Front

Type of installation: Built-in

Washing capacity (Kgs): 8

Energy consumption (kWh/year): 196

Water consumption (litres/year): 9850

Maximum spinning speed (RPM): 1200

POWER SUPPLY

Frequency (Hz): 50

Power rate (V): 220-240

Maximum Nominal Power (W): 1600

Nominal power motor (W): 350

Power of heating element (W): 1600

PARTICULAR CHARACTERISTICS

Stainless Steel Drum: Yes

Number of programs: 15

Number Of Washing Temperatures: 6

Control panel: ELECTRONIC

Electronic washing management: Yes

Child lock: Yes

Auto lock door: Yes

Cancel spin cycle button: Yes

CONTROL INDICATOR LIGHTS

SPECIAL FUNCTIONS

EQUIPMENT

PRODUCT INFORMATION SHEET (UE) 2019/2014

Selected program indicator: Yes

Remaining time: Yes

Fast program: Yes

Fast program (minutes): 14

Economic program: Yes

Intense program: Yes

Delayed Timer (h): 0-24

Delicate fabrics: Yes

Resistant: Yes

Quick Wash: Yes

Adjustable Feet Back: Yes

Adjustable feet front: Yes

Supplier's name or trade mark : TEKA

Supplier's address : C/Cajo, 17, 39011, Santander , Spain

Model identifier : LI5 1280 EU

General product parameters

Rated capacity for the eco 40-60 programme (Kg) : 8

Dimensions (cm)

Height : 82

Width : 60

Depth: 53

Consumption and efficiency

Energy Efficiency Index (a): 80

Energy efficiency class (a): D

Washing efficiency index (a): 1,04

Rinsing effectiveness (g/kg) (a): 4,9

Energy consumption in kWh per cycle, based on the eco 40-60 programme. Actual energy consumption will depend on how the appliance is used.: 0,727

Water consumption in litre per cycle, based on the eco 40-60 programme. Actual water consumption will depend on how the appliance is used and on the hardness of the water.: 44

Maximum temperature inside the treated textile (a) (°C)

Remaining moisture content (a) (%)

Spin speed (a) (rpm)

Rated capacity: 1151

Half: 1151

Quarter: 1151

Spin-drying efficiency class (a): 53

Eco 40-60 programme duration (a) (h:min)

Other

Type: Built-in

Airborne acoustical noise emission class (a) (spinning phase):
B

Off-mode (W): 0,5

Standby mode (W): 1

Delay start (W) (if applicable): 4

Minimum duration of the guarantee offered by the supplier (b): 2

This product has been designed to release silver ions during the washing cycle YES/NO: 0

Additional information:

Weblink to the supplier's website, where the information in point 9 of Annex II to Commission Regulation (EU) 2019/2023 (1) (b) is found:
(a) for the eco 40-60 programme.

(b) changes to these items shall not be considered relevant for the purposes of paragraph 4 of Article 4 of Regulation (EU) 2017/1369.

(c) if the product database automatically generates the definitive content of this cell the supplier shall not enter these data.

**TECHNICAL DOCUMENTATION
(UE) 2019/2014**

Energy consumption of the eco 40-60 programme at rated capacity (EW,full): 1,104

Energy consumption of the eco 40-60 programme at half rated capacity (EW,½): 0,657

Energy consumption of the eco 40-60 programme at quarter rated capacity (EW,1/4): 0,373

Weighted energy consumption of the eco 40-60 programme (EW): 0,727

Standard energy consumption of the eco 40-60 programme (SCEW): 0,909

Energy Efficiency Index (EEIW): 80

Water consumption of the eco 40-60 programme at rated capacity (WW,full): 63

Water consumption of the eco 40-60 programme at half rated capacity (WW,½): 37

Water consumption of the eco 40-60 programme at quarter rated capacity (WW,1/4): 28

Weighted water consumption (WW): 44

Washing efficiency index of the eco 40-60 programme at rated capacity (Iw): 1,04

Washing efficiency index of the eco 40-60 programme at half rated capacity (Iw): 1,04

Washing efficiency index of the eco 40-60 programme at quarter rated capacity (Iw): 1,04

Rinsing effectiveness of the eco 40-60 programme at rated capacity (IR): 4,9

Rinsing effectiveness of the eco 40-60 programme at half rated capacity (IR): 4,9

Rinsing effectiveness of the eco 40-60 programme at quarter rated capacity (IR): 4,9

Spin speed in the spinning phase of the eco 40-60 programme at rated capacity (S): 1151

Spin speed in the spinning phase of the eco 40-60 programme at half rated capacity (S): 1151

Spin speed in the spinning phase of the eco 40-60 programme at quarter rated capacity (S): 1151

Power consumption in 'off mode' (Po): 0,5

Power consumption in 'standby mode' (Psm): 1

Power consumption in 'standby mode' (Psm) in condition of networked standby (if applicable): N.A.

Power consumption in 'delay start' (Pds) (if applicable): 4

Additional information:

(c) where appropriate, the references of the harmonised standards applied;

(d) where appropriate, the other technical standards and specifications used;

(e) the details and the results of calculations performed in accordance with Annex IV;

(f) a list of all equivalent models including the model identifier.



LI5 1280 EU

ENERGY LABEL

The energy label for the TEKA LI5 1280 EU washing machine features the following information:

- Energy Efficiency Class:** D (indicated by a black arrow pointing to the 'D' bar on the scale).
- Energy Consumption:** 73 kWh per cycle.
- Water Consumption:** 44 L per cycle.
- Spin Speed:** 1000 RPM (represented by a circular arrow icon with '100').
- Capacity:** 8,0 kg.
- Program Duration:** 3:38.
- Noise Level (Washing):** ABCDEFG.
- Noise Level (Spinning):** ABCD (with a 75 dB icon).

Additional details include the TEKA logo, the model number LI5 1280 EU, a QR code, and the date 2010/2014.