



TK3 1490 WD Free-standing washer dryer 9kg capacity



Quick Cycle



Washing
capacity: 6Kg



Washing
capacity: 9Kg

DESCRIPTION

Free-standing washer dryer 9kg capacity

LIFE STYLE

Total

COLOURS



REFERENCE

REF. 40878060
EAN. 8421152119594

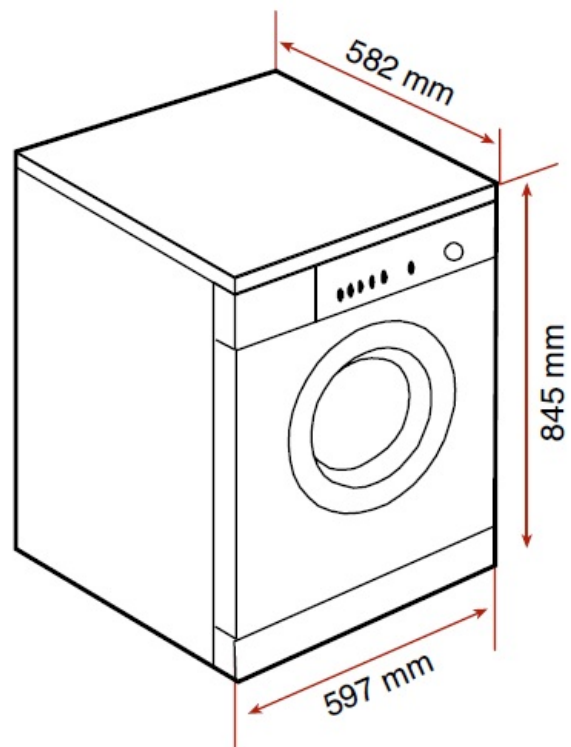


TEKA

TK3 1490 WD

FEATURES

Free standing Washer-Dryer
Electronic control panel with display
Washing capacity: 9 kg
Drying capacity: 6 kg
Washing programs: 11
Drying programs: 4
Fast program: 12 minutes
Special programs: ECO mode, Wool care, Delicate, AllergySafe, Quick Wash & Dry, Gentle Dry
Special functions: Delay timer, Anti-allergies, Extra rinse, Stain type
Condenser heat pump
Maximum spinning speed: 1400 RPM
Automatic water regulation
Automatic door lock safety system
Child lock
Balance control system
SoftCare drum
Delay timer: 1-24 hours
33 cm wide porthole door

TEKA**TK3 1490 WD**

DIMENSIONS

Product height (mm): 845
Product width (mm): 597
Product depth (mm): 582
Product length (mm):
Net weight (Kg): 78

TECH SPECS

PRODUCT SHEET

Type of installation: Free standing
Drying capacity (Kgs): 6
Energy consumption (kWh/year): 210
Water consumption (litres/year): 9800
Certificates: CE + IMQ + VDE

POWER SUPPLY

Frequency (Hz): 50
Power rate (V): 220-240
Plug type: No
Cable Connection Length (cm): No
Maximum Nominal Power (W): 2200
Nominal power motor (W): 200
Power of heating element (W): 1850
Water outlet hose length (m): 0
Water inlet hose length (m): 0

PARTICULAR CHARACTERISITICS

Stainless Steel Drum: Yes
Glass door diameter (cms): 47
Number of programs: 11

CONTROL INDICATOR LIGHTS

SPECIAL FUNCTIONS

EQUIPMENT

PRODUCT INFORMATION SHEET (UE) 2019/2014

Number Of Washing Temperatures: 9

Control panel: ELECTRONIC

Electronic washing management: Yes

Child lock: Yes

Auto lock door: Yes

Cancel spin cycle button: Yes

Removable work top: Yes

Selected program indicator: Yes

Remaining time: Yes

Drying: Yes

Dryer timer: Yes

Extra rinse indicator: Yes

Fast program: Yes

Fast program (minutes): 12

Economic program: Yes

Intense program: Yes

Delayed Timer (h): YES

Extra rinse: Yes

Delicate fabrics: Yes

Resistant: Yes

Quick Wash: Yes

Adjustable Feet Back: Yes

Adjustable feet front: Yes

Supplier's name or trade mark: -

Supplier's address : -

Model identifier: -

General product parameters

Rated capacity (kg) for the wash and dry cycle: 9/6 kg

Rated washing capacity (kg) for the eco 40-60 programme: 9 kg

Dimensions (cm)

Height: 84,5

Width : 59,7

Depth: 58,2

Energy efficiency index

Energy Efficiency Index EEIW for the eco 40-60 programme (a):
69

Energy Efficiency Index EEIWD for the wash and dry cycle (b):
82

Energy efficiency class

Energy efficiency class EEIW for the eco 40-60 programme (a):
C

Energy efficiency class EEIWD for the wash and dry cycle (b): E

Washing efficiency index

Washing efficiency index IW for the eco 40-60 programme:
1,04

Washing efficiency index JW for the wash and dry cycle: 1,04

Rinsing effectiveness (g/kg dry textile)

Rinsing effectiveness IR for the eco 40-60 programme: 5,0

Rinsing effectiveness JR for the wash and dry cycle: 5,0

Consumption

Energy consumption in kWh per kg per cycle, for the washing cycle of the household washer-dryer, using the eco 40-60 programme at a combination of full and partial loads. Actual energy consumption will depend on how the appliance is used: 0,656

Energy consumption in kWh per kg per cycle, for the wash and dry cycle of the household washer-dryer at a combination of full and half loads. Actual energy consumption will depend on how the appliance is used: 3,767

Water consumption in litre per cycle, for the eco 40-60 programme at a combination of full and partial loads. Actual water consumption will depend on how the appliance is used and on the hardness of the water: 50

Water consumption in litre per cycle, for the wash and dry cycle of the household washer-dryer at a combination of full and half loads. Actual water consumption will depend on how the appliance is used and on the hardness of the water: 90

Maximum temperature inside the treated textile (°C) for the eco 40-60 programme

Remaining moisture content (%) for the eco 40-60 programme

Spin speed (rpm) Eco 40-60 programme

Rated washing capacity: 1400

Half capacity: 1400

Quarter capacity: 1400

Spin-drying efficiency class: B

Eco 40-60 programme duration (h:min)

Wash and dry cycle duration (h:min)

Other

Airborne acoustical noise emissions during the spinning phase for the eco 40-60 washing cycle at rated washing capacity (dB(A) re 1 pW): 77

Airborne acoustical noise emission class for the spinning phase for the eco 40-60 programme at rated washing capacity: C

Type: Free-standing

Off-mode (W): 0,50

Standby mode (W): 1,00

Delay start (W) (if applicable): 4,00

Networked standby (W) (if applicable): 2,00

Minimum duration of the guarantee offered by the supplier (c): 24

This product has been designed to release silver ions during the washing cycle YES/NO: 0

Additional information

Weblink to the supplier's website, where the information in point 9 of Annex II to Regulation (EU) 2019/2023 is found (b):

(a) for the eco 40-60 programme

(b) for the wash and dry cycle

(c) changes to these items shall not be considered relevant for the purposes of paragraph 4 of Article 4 of Regulation (EU) 2017/1369.

(d) if the product database automatically generates the definitive content of this cell the supplier shall not enter these data.

Rated capacity for the wash and dry cycle, at 0,5 kg intervals (Kg) : 6

Energy consumption of the eco 40-60 programme at rated washing capacity (EW-full) (kWh/cycle) : 1,170

Energy consumption of the eco 40-60 programme at half rated capacity (EW-1/2) (kWh/cycle) : 0,543

Energy consumption of the eco 40-60 programme at quarter rated capacity (EW-1/4) (kWh/cycle) : 0,281

Weighted energy consumption of the eco 40-60 programme (EW) (kWh/cycle) : -

Standard energy consumption of the eco 40-60 programme (SCEW) (kWh/cycle) : 0,951

Energy Efficiency Index of the washing cycle (EEIW) : -

Energy consumption of the wash and dry cycle at rated capacity (EWD-full) (kWh/cycle) : 4,629

Energy consumption of the wash and dry cycle at half rated capacity (EWD-1/2) (kWh/cycle) : 2,461

Weighted energy consumption of the wash and dry cycle (EWD) (kWh/cycle) : -

Standard energy consumption of the wash and dry cycle (SCEWD) (kWh/cycle) : 4,594

Energy Efficiency Index of the wash and dry cycle (EEIWD) : -

Water consumption of the eco 40-60 programme at rated washing capacity (WW-full) (L/cycle) : 55,8

Water consumption of the eco 40-60 programme at half rated capacity (WW-1/2) (L/cycle) : 39,9

Water consumption of the eco 40-60 programme at quarter rated capacity (WW-1/4) (L/cycle) : 37

Weighted water consumption of the washing cycle (WW) (L/cycle) : -

Water consumption of the wash and dry cycle at rated capacity (WWD-full) (L/cycle) : 99,5

Water consumption of the wash and dry cycle at half rated capacity (WWD-1/2) (L/cycle) : 65,1

Weighted water consumption of the wash and dry cycle (WWD) (L/cycle) : -

Washing efficiency index of the eco 40-60 programme at rated washing capacity (Iw) : 1,04

Washing efficiency index of the eco 40-60 programme at half rated capacity (Iw) : 1,05

Washing efficiency index of the eco 40-60 programme at quarter rated capacity (Iw) : 1,05

Washing efficiency index of the wash and dry cycle at rated capacity (Jw) : 1,04

Washing efficiency index of the wash and dry cycle at half rated capacity (Jw) : 1,05

Rinsing effectiveness of the eco 40-60 programme at rated washing capacity (IR) (g/kg) : 4,7

Rinsing effectiveness of the eco 40-60 programme at half rated washing capacity (IR) (g/kg) : 4,6

Rinsing effectiveness of the eco 40-60 programme at quarter rated washing capacity (IR) (g/kg) : 4,5

Rinsing effectiveness of the wash and dry cycle at rated capacity (JR) (g/kg) : 4,6

Rinsing effectiveness of the wash and dry cycle at half rated capacity (JR) (g/kg) : 4,5

Spin speed in the spinning phase of the eco 40-60 programme at rated washing capacity (S) (RPM) : 1404

Spin speed in the spinning phase of the eco 40-60 programme at half rated washing capacity (S) (RPM) : 1402

Spin speed in the spinning phase of the eco 40-60 programme at quarter rated washing capacity (S) (RPM) : 1402

Airborne acoustical noise emissions during eco 40-60 programme (spinning phase) (dB(A) re 1 pW) : 77

Power consumption in off-mode (Po) (W) : 0,50

Power consumption in standby mode (Psm) (W) : 1,00

Power consumption in standby mode (Psm) in condition of networked standby (if applicable) (W) : 2,00

Power consumption in delay start (Pds) (if applicable) (W) : 4,00

Additional information:

- (c) where appropriate, the references of the harmonised standards applied;
- (d) where appropriate, the other technical standards and specifications used;
- (e) the details and the results of calculations performed in accordance with Annex IV;
- (f) a list of all equivalent models including the model identifier.



TK3 1490 WD

ENERGY LABEL

ENERGY

TEKA TK3 1490 WD EU

A		A
B		B
C		C
D		D
E	E	E
F		F
G		G

377 kWh / (100)

66 kWh / (100)

9,0 kg 6,0 kg

90 L 50 L

9:00 3:39

ABCDEFG 77 dB(A) ABCD

9100741002