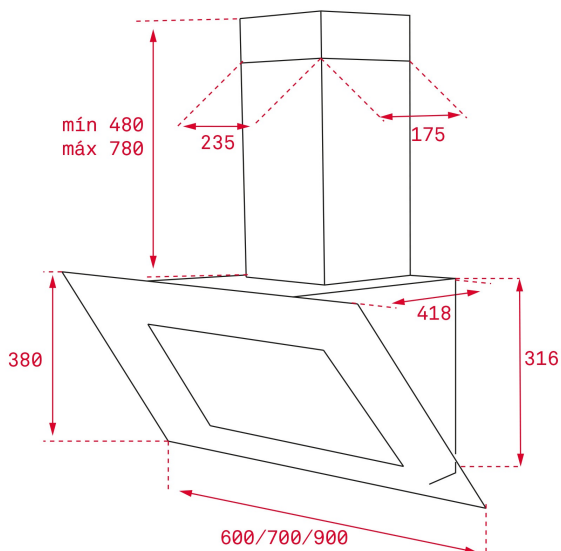


TEKA**MAESTRO DVT 685****60cm Vertical Hood with Contour Rim extraction system and Touch control display**

LED

Perimeter
extractionStop Delay
Timer**REFERENCE**

REF: 40483560

EAN: 8421152130667

FEATURES

Vertical decorative hood

Eco power

Touch control panel

Rim extraction

3 speeds + 1 intensive

Exhaust capacities:

Free Outlet (m³/h): 895Max. (m³/h): 786Min. (m³/h): 303

Noise (LwA) Max Speed 66 dB

Noise (LwA) Min Speed 52 dB

LED illumination

1 aluminium filter

Stop delay timer

Filter saturation indicator

DIMENSIONS**Product height (mm):** 860-1160**Product width (mm):** 600**Product depth (mm):** 418**Product length (mm):****Net weight (Kg):** 13,12**TECH SPECS**

Energy Efficiency Class: A

Noise (LwA) Min Speed (dB): 52

Noise (LwA) Max Speed (dB): 66

Noise (LwA) Boost Speed (dB): 71

Ø Outlet (mm): 150

COLOURS

40483560

Black