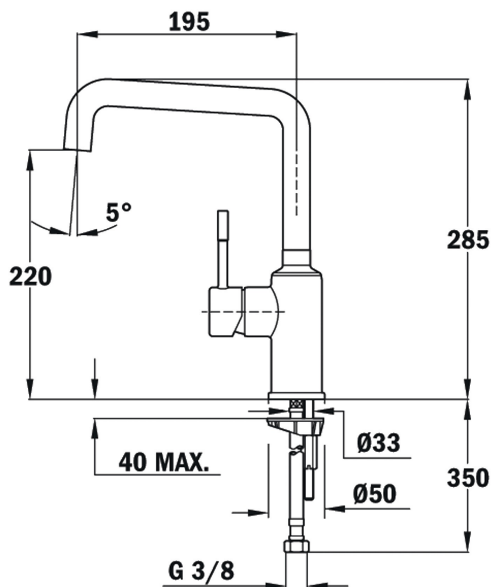


Anti-Scale
AeratorSwivel
Spout

REFERENCE

REF: 509150210

EAN: 8413509204565

FEATURES

Swivel spout

Anti-scale aerator integrated in the spout

For 1/2" connection versions please check with your sales contact person

DIMENSIONS

Product height (mm): 285**Product width (mm):****Product depth (mm):****Product length (mm):****Net weight (Kg):** 2,55

COLOURS



509150210

Chrome