



# DVT 985 90cm Vertical Hood with Contour Rim extraction system and Touch control display



A Energy Class



LED



Perimeter extraction



Stop Delay Timer

**DESCRIPTION**

90cm Vertical Hood with Contour Rim extraction system and Touch control display

**LIFE STYLE**

Maestro

**COLOURS**

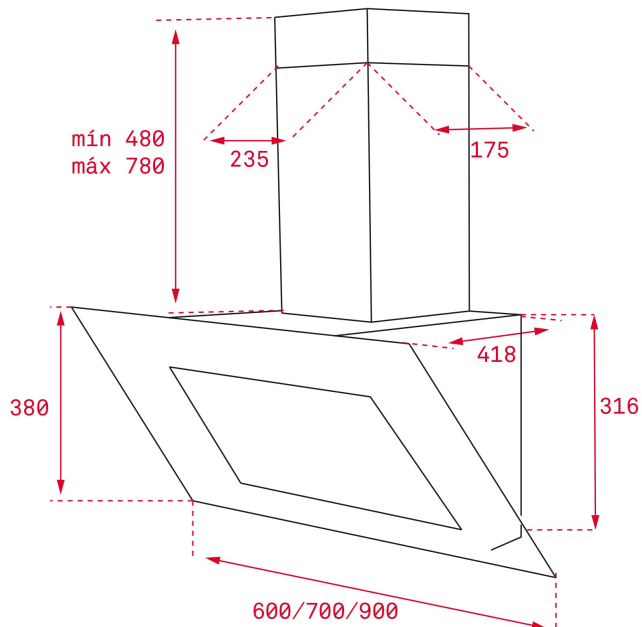


**REFERENCE**

REF. 40483562  
EAN. 8421152130704

**FEATURES**

Vertical decorative hood  
Eco power  
Touch control panel  
Rim extraction  
3 speeds + 1 intensive  
Exhaust capacities:  
Free Outlet (m<sup>3</sup>/h): 895  
Max. (m<sup>3</sup>/h): 786  
Min. (m<sup>3</sup>/h): 303  
Noise (LwA) Max Speed 66 dB  
Noise (LwA) Min Speed 52 dB  
LED illumination  
1 aluminium filter  
Stop delay timer  
Filter saturation indicator



## DIMENSIONS

**Product height (mm):** 860/1160  
**Product width (mm):** 900  
**Product depth (mm):** 418  
**Product length (mm):**  
**Net weight (Kg):** 14,72

## TECH SPECS

### PARTICULAR CHARACTERISTICS

**Type of hood:** Vertical  
**Style:** Decoratives  
**Certificates:** CE; CB  
**Type of inner light:** LED  
**Inside light Consumption (W):** 3  
**Plug type:** European plug  
**Power rate (V):** 220/240  
**Frequency (Hz):** 50  
**Total hood power (W):** 286  
**Number of motors:** 1  
**Motor power (W):** 280  
**Exhaust Capacity - Free Outlet (m<sup>3</sup>/h):** 895

**EU REGULATION NO. 65/2014  
&66/2104**

**Annual energy consumption AEC kWh/annum (kWh):** 51,1  
**Energy Efficiency Class:** A  
**Fluid Dynamic Efficiency (FDEhood):** 32,3  
**Fluid Dynamic Efficiency class:** A  
**Light Efficiency (Lehood) lux/Watt:** 69,8  
**Lighting Efficiency class:** A  
**Grease Filtering Efficiency class:** C

**Air flow (Qmin) m3/h:** 303  
**Air flow (Qmax):** 599  
**Air flow (Qboost):** 786  
**Noise (LwA) Min Speed (dB):** 52  
**Noise (LwA) Max Speed (dB):** 66  
**Noise (LwA) boost speed (dB):** 71  
**Off mode Power (Po) W:** 0,00  
**Standby Power (Ps) W:** 0,74  
**Energy Efficiency Index (EEI):** 47,9  
**Time increase factor:** 0,8  
**Electric power input at best efficiency point (Wbep) W:** 160,1  
**Nominal power of the lighting system (WL) W:** 6  
**Average illumination of the lighting system on the cooking surface (Emiddle) Lux:** 419

## **ACCESSORIES**

**Anti Return valve:** Yes  
**Outlet reduction:** Yes  
**Optional Charcoal Filter:** D4C  
**Charcoal filter description:** CHARCOAL FILTER D4C  
**Conventional recirculation kit (with tube cover):** 40490146

## **MODELS**

**Number of filters:** 1  
**Filter description:** Glass panel; aluminum filter below  
**Control panel:** Touch control white display  
**Stop delay timer:** Yes  
**Filter saturation indicator:** Yes  
**Number of speeds:** 3+1



DVT 985

ENERGY LABEL

