



**DH2 120 ISLAND** Kitchen Island extractor hood DH2 120 ISLAND



**DESCRIPTION**

Kitchen Island extractor hood DH2 120 ISLAND

**LIFE STYLE**

Maestro

**COLOURS**

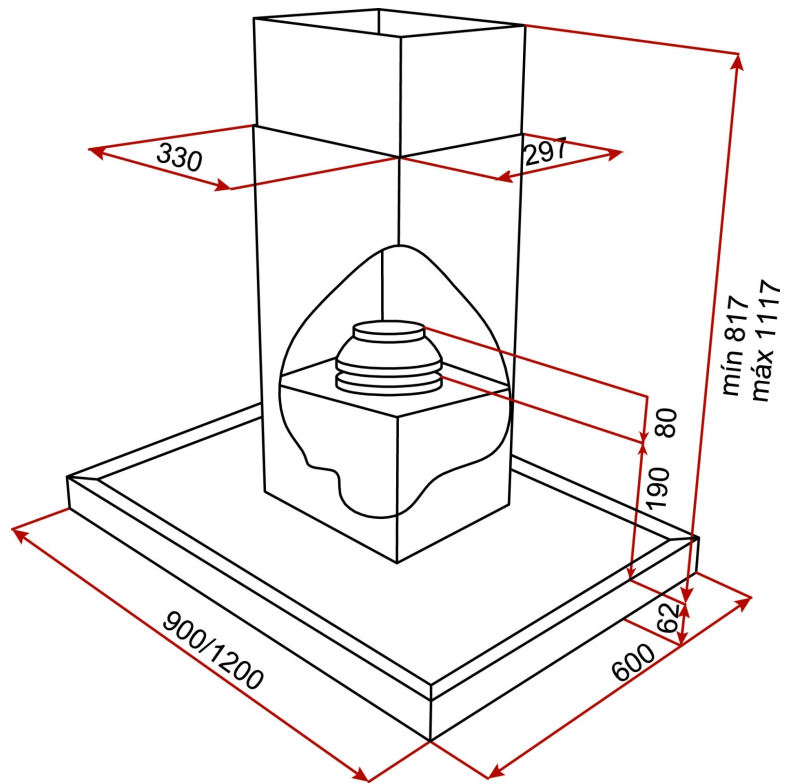


**REFERENCE**

REF. 40484610  
EAN. 8421152100844

**FEATURES**

Island hood  
Backlit electronic panel with red display  
Conventional aspiration  
3 speeds + 1 intensive  
Exhaust capacities:  
Free Outlet (m<sup>3</sup>/h) 850  
Max. (m<sup>3</sup>/h) 650  
Min. (m<sup>3</sup>/h) 295  
Noise (LwA) Max Speed 56 dB  
Noise (LwA) Min Speed dB 48 dB  
Integrated halogen lamps  
4 stainless steel-aluminium filters  
Stop delay timer  
Easy-Clean inside panel  
Reinforced black glass upper structure



## DIMENSIONS

Product height (mm): 860-1160

Product width (mm): 1200

Product depth (mm): 600

Product length (mm):

Net weight (Kg):

## TECH SPECS

### PARTICULAR CHARACTERISTICS

EU REGULATION NO. 65/2014  
&66/2104

Type of hood: Island  
Style: Decoratives

Grease Filtering Efficiency class: C

