



HLB 860 A+ Multifunction Oven with 20 recipes



HydroClean



SurroundTemp



70 L



Plus Extension
Telescopic
Guide



SoftClose

DESCRIPTION

A+ Multifunction Oven with 20 recipes

LIFE STYLE

Maestro

COLOURS

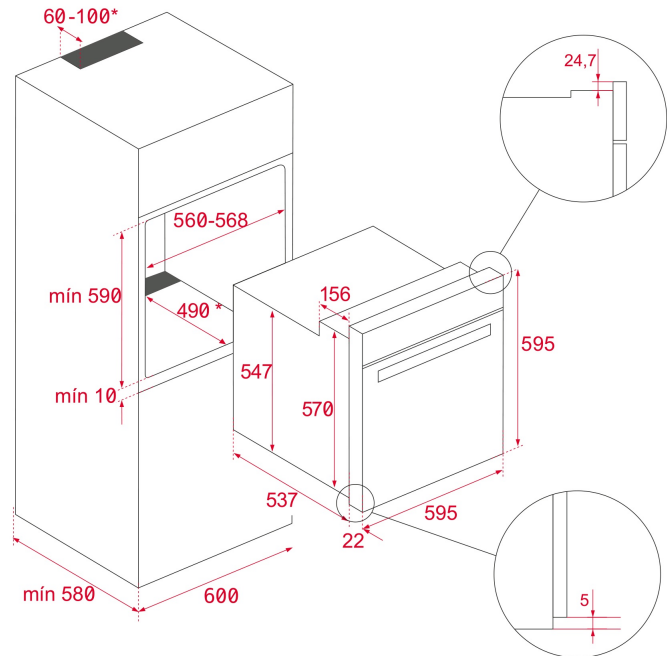


REFERENCE

REF. 41560090
EAN. 8421152148600

FEATURES

Multifunction SurroundTemp - 12 Cooking functions
Teka HydroClean®PRO cleaning system
A+ Energy class: up to 20% less consumption
Capacity, gross/net: 71/70 litres
True colour TFT 4 display with digital timer
Personal cooking assistant (20 recipes)
SlowCook function: low temperature cooking
Automatic temperature and time suggestion for each function
Quick heating
Children safety block
Automatic disconnection security system
Triple glazed door
SoftClose system
1 Plus-Extension telescopic guide, 5 cooking levels
Deep enamelled tray and reinforced grid
Tangential ventilation



DIMENSIONS

Product height (mm): 595

Product width (mm): 595

Product depth (mm): 537+22

Product length (mm):

Net weight (Kg): 32

TECH SPECS

PARTICULAR CHARACTERISTICS

Certificates: N / CE / CCA / CB/GMARK/ JAS-ANZ/SASO

Number of cavities: 1

Enamelled cavity: Yes

Function selector: ELECTRONIC

Number of cooking functions: 12

Number of recipes: 20

Grill function: Yes

MaxiGrill function: Yes

Bottom function: Yes

Turbo function: Yes

ECO function: Yes

Ferment function: Yes

Automatic quick heating: Yes

Slow Cook: Yes

Ring illuminated: Yes

Removable chromed tray guides: Yes

Number of guide levels: 5

Easy slide telescopic guides: Yes

Drop-down grill: Yes

Forced refrigeration tangential 1 speed: Yes

SoftClose: Yes

Tangential ventilation: Yes

ELECTRIC CONNECTION

Maximum Nominal Power (W): 3215

Frequency (Hz): 50/60

Power rate (V): 220-240

Cable Connection Length (cm): 150

Plug: Yes

Inside light Consumption (W): 25

ENERGY CONSUMPTION

Energy consumption per cycle in conventional mode (kWh):

0.83

Energy consumption per cycle in fan-forced convection mode

(kWh): 0,68

Bottom Heating Element (W): 1150

Bottom Heating Element (W) (lower cavity): 1150

Grill (W): 1400

Maxi Grill (W): 2500

Traditional (W): 2550

Turbo (W): 2000

Multifunction Turbo (W): 22

Cooling Fan Motor (W): 18

SECURITY SYSTEM

Automatic disconnection when opening the door: Yes

Panel blocking system: Yes

Children safety block option: Yes

Grill protection: Yes

Anti-tip tray system: Yes

Safety Thermostat: Yes

CLEANING SYSTEM

Crystal Clean Enamel (Slippery): Yes

Hydroclean PRO: Yes

ACCESSORIES

Deep Tray (50 mm): 1

Steak tray: 0

Reinforced grid: 1



HLB 860

ENERGY LABEL

ENERG
енергия - енеруєна

TEKA HLB 860

A+++
A++
A+
A
B
C
D

70 L

0.83 kWh/cycle*

0.68 kWh/cycle*

*one cycle - porion - cyklus - spivymas - ciclo - tsiklul - oipema - ciklus - ciklus - ciklu - cyclus - cykl - ciklu - program - cykel

65/2014