



DG 650 Ultraslim Wall-mounted Extractor Hood DG 650



DESCRIPTION

Ultraslim Wall-mounted Extractor Hood DG 650

LIFE STYLE

Easy

COLOURS

REFERENCE

REF. 40485250
EAN. 8421152130209

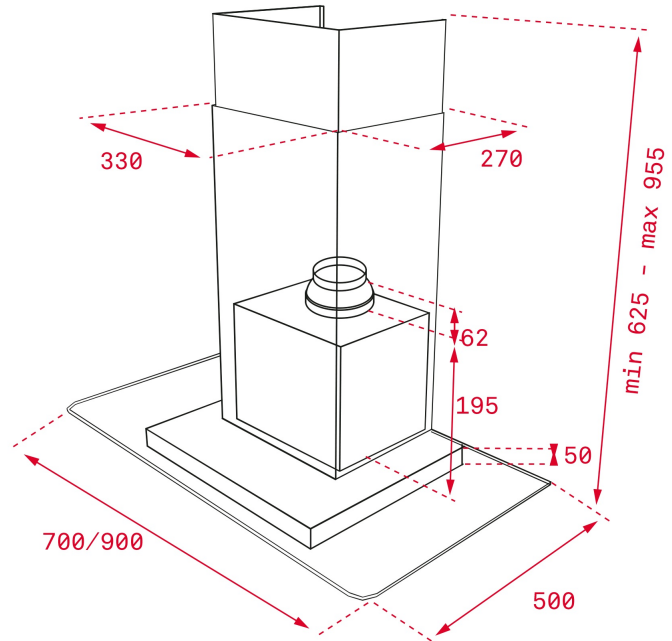


TEKA

DG 650

FEATURES

Ultraslim glass wing decorative hood
Push button control panel
Operating pilot light
Conventional aspiration
3 speeds
Exhaust capacities:
Free Outlet (m³/h): 475
Max. (m³/h): 380
Min. (m³/h): 234
Noise (LwA) Max Speed 64 dB
Noise (LwA) Min Speed 49 dB
Integrated halogen lamps
1 aluminium filter
Reinforced glass upper structure



DIMENSIONS

Product height (mm): 667997
Product width (mm): 600
Product depth (mm): 500
Product length (mm):
Net weight (Kg): 10,9

TECH SPECS

PARTICULAR CHARACTERISTICS

Type of hood: Glass Wing
Style: Decoratives
Certificates: CE; CB; Rohs
Ø Outlet (mm): 150
Type of inner light: Halogen
Inside light Consumption (W): 20
Plug type: European plug
Power rate (V): 220240
Frequency (Hz): 50/60
Total hood power (W): 145
Number of motors: 1
Motor power (W): 105
Exhaust Capacity - Free Outlet (m3/h): 475

**EU REGULATION NO. 65/2014
 &66/2104**

Annual energy consumption AEC kWh/annum (kWh): 87,2
Energy Efficiency Class: E
Fluid Dynamic Efficiency (FDEhood): 6,1
Fluid Dynamic Efficiency class: F
Light Efficiency (Lehood) lux/Watt: 5,6
Lighting Efficiency class: F

Grease Filtering Efficiency class: D
Air flow (Qmin) m3/h: 234
Air flow (Qmax): 380
Air flow (Qboost): 0
Noise (LwA) Min Speed (dB): 49
Noise (LwA) Max Speed (dB): 64
Noise (LwA) boost speed (dB): 0
Off mode Power (Po) W: 0,00
Standby Power (Ps) W: 0,00
Energy Efficiency Index (EEI): 101,5
Time increase factor: 1,8
Electric power input at best efficiency point (Wbep) W: 88,3
Nominal power of the lighting system (WL) W: 40
Average illumination of the lighting system on the cooking surface (Emiddle) Lux: 222

ACCESSORIES

Anti Return valve: Yes
Outlet reduction: Yes
Optional Charcoal Filter: D4C
Conventional recirculation kit (with tube cover): 40490147

MODELS

Number of filters: 1
Filter description: Aluminum
Number of speeds: 3



DG 650

ENERGY LABEL

