



DG 750 Ultraslim wall-mounted extractor hood DG 750



DESCRIPTION

Ultraslim wall-mounted extractor hood DG 750

LIFE STYLE

Easy

COLOURS

REFERENCE

REF. 40485251
EAN. 8421152130230

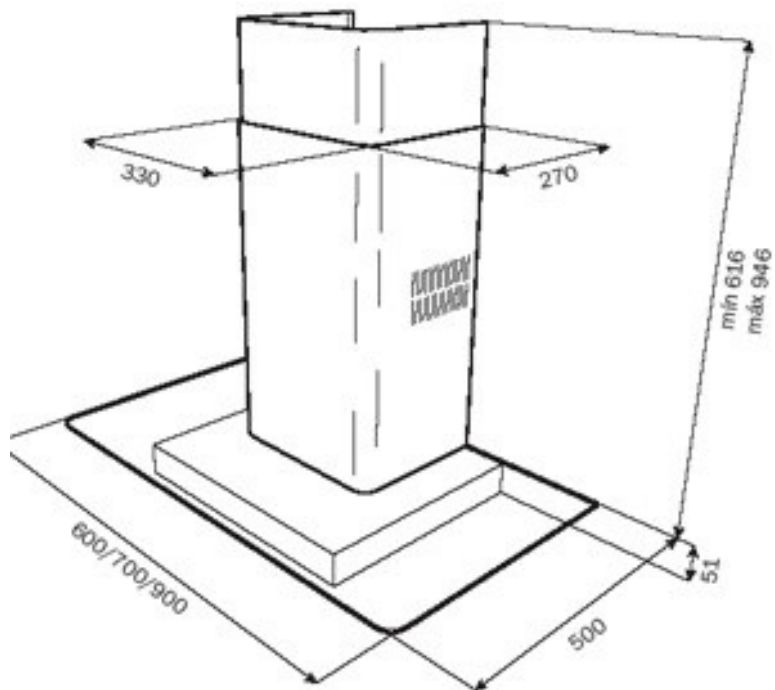


TEKA

DG 750

FEATURES

Ultraslim glass wing decorative hood
Push button control panel
Operating pilot light
Conventional aspiration
3 speeds
Exhaust capacities:
Free Outlet (m³/h): 475
Max. (m³/h): 380
Min. (m³/h): 234
Noise (LwA) Max Speed 64 dB
Noise (LwA) Min Speed 49 dB
Integrated halogen lamps
1 aluminium filter
Reinforced glass upper structure



DIMENSIONS

Product height (mm): 667-997

Product width (mm): 700

Product depth (mm): 500

Product length (mm):

Net weight (Kg): 12,1

TECH SPECS

PARTICULAR CHARACTERISTICS

Certificates: CE; CB; Rohs
Ø Outlet (mm): 150
Type of inner light: Halogen
Inside light Consumption (W): 20
Plug type: European plug
Power rate (V): 220-240
Frequency (Hz): 50/60
Total hood power (W): 145
Number of motors: 1
Motor power (W): 105

ACCESSORIES

Anti Return valve: Yes
Outlet reduction: Yes
Optional Charcoal Filter: D4C
Conventional recirculation kit (opt) - w/tube cover: SET 1/N1

MODELS**Number of filters:** 1**Filter description:** Aluminum**Number of speeds:** 3



DG 750

ENERGY LABEL

