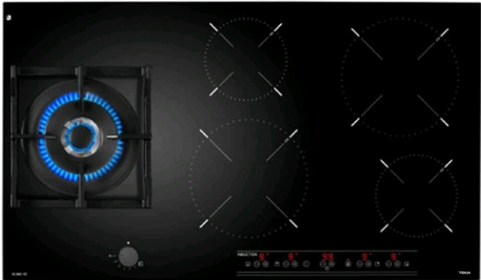




IG 940 1G AI AL DR CI NAT Mixed hob with 5 cooking zones of natural gas



Auto ignition



Autolock



Power



Power Plus

DESCRIPTION

Mixed hob with 5 cooking zones of natural gas

LIFE STYLE

Maestro

COLOURS

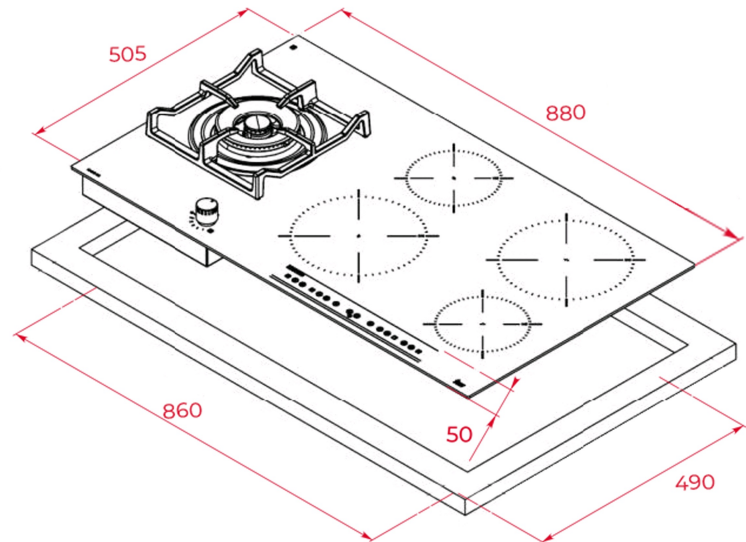


REFERENCE

REF. 40213230
EAN. 8421152143742

FEATURES

Gas typology : LPG (butane/propane)
90 cm gas on glass+induction hob
Touch control
Cooking time programmer
Independent programmer of each cooking zone
Power function
Power management function
Cast iron grids
Auto-ignition
Auto-lock safety device
Metallic look knobs
Security blocking
Residual heat indicator
5 cooking zones:
2 induction Ø 210 mm. 1.500 W
2 induction Ø 145 mm. 1.200 W
1 gas Double ring burner (5.00 KW)
Total nominal power (gas): 5,00 KW
Total nominal power (induction): 7.200 W



DIMENSIONS

Product height (mm): 50
Product width (mm): 880
Product depth (mm): 505
Product length (mm):
Net weight (Kg): 14,5

TECH SPECS

FITTING MEASURES

Built-in Width (mm): 860
Built-in Depth (mm): 490
Built-in Height (mm): 50

PARTICULAR CHARACTERISTICS

Gas type: Natural
Maximum nominal power (W) (Gas): 5000
Auto ignition: Yes
Number of electric power levels: 9
Power management function: Yes

ELECTRIC CONNECTION

Frequency (Hz): 50/60
Power rate (V): 220-240
Cable Connection Length (cm): 120
Maximum Nominal Power (W) (Electric hob): 7200

COOKING ZONES

Cooking Zones: 5
Energy consumption for the whole hob, Wh/Kg: 61,6

Left center cooking zone - Type: DOUBLE RING
Center rear cooking zone - Diameter (mm): 145
Center rear cooking zone - Type: Single Zone
Center rear cooking zone - Consumption in Wh/Kg (EU 66/2014): 176,4
Center front cooking zone - Diameter (mm): 210
Center front cooking zone - Type: Single Zone
Center front cooking zone - Consumption in Wh/Kg (EU 66/2014): 183,4
Right rear cooking zone - Diameter (mm): 210
Right rear cooking zone - Type: Single Zone
Right rear cooking zone - Consumption in Wh/Kg (EU 66/2014): 183,4
Right front cooking zone - Diameter (mm): 145
Right front cooking zone - Type: Single Zone
Right front cooking zone - Consumption in Wh/Kg (EU 66/2014): 176,4

SECURITY SYSTEM

Automatic safety disconnection (Auto Lock) (Gas): Yes
Residual heat indicator (Electric hob): Yes
Automatic safety disconnection (Auto Lock) (Electric hob): Yes
Child lock: Yes

FINISH

Surface finishing: C-edged glass

ACCESSORIES

Grid type: Individual
Wok support: Optional
Junction Kit: NO
Cast Iron Grids: Yes
Teppan Yaki: NO

