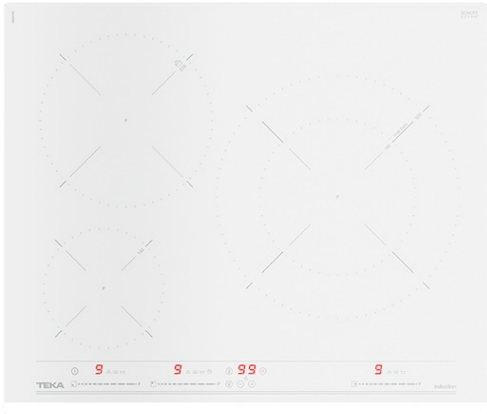




IZ 6320 60cm Induction Hob with 3 zones and MultiSlider Touch Control



MultiSlider



Autolock



Power



Power Plus



Easy installation

DESCRIPTION

60cm Induction Hob with 3 zones and MultiSlider Touch Control

LIFE STYLE

Total

COLOURS



REFERENCE

REF. 10210206
EAN. 8421152148556

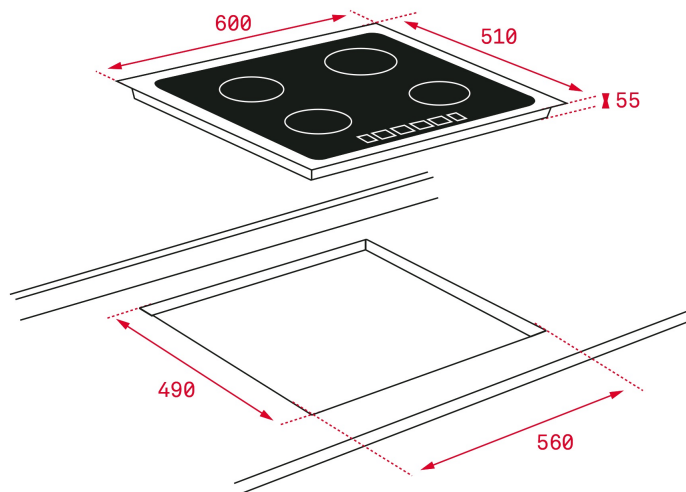


TEKA

IZ 6320

FEATURES

Urban Colors Edition
Induction hob
Touch Control Multislider
Cooking timer
3 induction zones:
1 induction Ø145 mm
1 induction Ø210 mm
1 induction Ø190/300 mm
Special cooking functions: Quick Boiling, Melting, Simmering and KeepWarm
Power Plus function
Child lock
Stop & Go function
Silence mode
Fast-Click easy installation
Maximum nominal power: 7.400 W



DIMENSIONS

Product height (mm): 50
Product width (mm): 600
Product depth (mm): 510
Product length (mm):
Net weight (Kg): 10,44

TECH SPECS

FITTING MEASURES

Built-in Width (mm): 560
Built-in Depth (mm): 490
Built-in Height (mm): 50

PARTICULAR CHARACTERISTICS

Number of electric power levels: 9
Quick Boiling: Yes
Simmering: Yes
Melting: Yes
Keeping warm: Yes
Power management function: Yes

ELECTRIC CONNECTION

Frequency (Hz): 50/60
Power rate (V): 220-240
Cable Connection Length (cm): 110
Maximum Nominal Power (W) (Electric hob): 7400

COOKING ZONES

Cooking Zones: 3

Energy consumption for the whole hob, Wh/Kg: 184
Left rear cooking zone - Diameter (mm): 210
Left rear cooking zone - Type: Single Zone
Left rear cooking zone - Consumption in Wh/Kg (EU 66/2014):
178,3
Left front cooking zone - Diameter (mm): 145
Left front cooking zone - Type: Single Zone
Left front cooking zone - Consumption in Wh/Kg (EU 66/2014):
201,5
Center rear cooking zone - Consumption in Wh/Kg (EU 66/2014): No
Center front cooking zone - Consumption in Wh/Kg (EU 66/2014): No
Right rear cooking zone - Consumption in Wh/Kg (EU 66/2014):
172,4
Right center cooking zone - Diameter (mm): 190 / 300
Right center cooking zone - Type: Double Zone
Right front cooking zone - Consumption in Wh/Kg (EU 66/2014): No

SECURITY SYSTEM

Residual heat indicator (Gas): Yes
Residual heat indicator (Electric hob): Yes
Automatic safety disconnection (Auto Lock) (Electric hob): Yes
Safety Blocking: Yes
Child lock: Yes

FINISH

Surface finishing: Front bevelled glass
Surface type: Ceramic Glass (4mm)
Easy installation system: Yes

ACCESSORIES

Junction Kit: Optional
Teppan Yaki: Optional

