



**TKS1 810 H** 8kg A++ Free Standing Dryer with 3 drying temperatures



A Energy Class



Hand Wash



Washing capacity: 8Kg

**DESCRIPTION**

8kg A++ Free Standing Dryer with 3 drying temperatures

**LIFE STYLE**

Total

**COLOURS**

**REFERENCE**

REF. 40854210  
EAN. 8421152155981



TEKA

TKS1 810 H

## FEATURES

Free standing dryer  
Heat pump condenser dryer  
16 programs  
Drying capacity: 8 Kg  
Electronic control panel with display  
Delay timer 1-24h  
4 Power levels  
End of cycle alarm  
Humidity sensor  
Anti-crease program  
Delicate clothing program clothing program  
Cooling program  
Bi- direction rotation  
Remaining time indicator  
Removable filter with saturation level indicator  
Energy class: A++

**TEKA****TKS1 810 H**

## DIMENSIONS

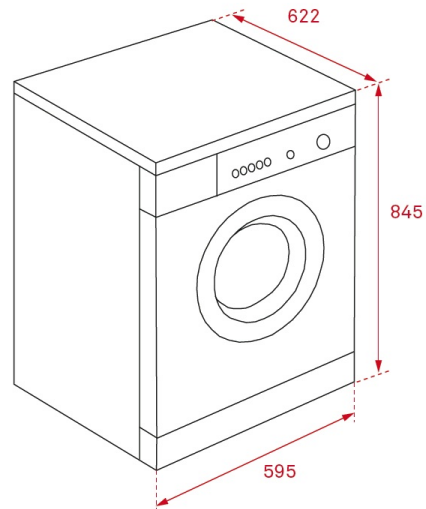
**Product height (mm):** 845

**Product width (mm):** 595

**Product depth (mm):** 622

**Product length (mm):**

**Net weight (Kg):** 51



## TECH SPECS

### PRODUCT SHEET

**Type of load:** Front

**Type of installation:** Free standing

**Drying capacity (Kgs):** 8

**Energy Efficiency Class:** A++

**Energy consumption per drying cycle (Full load) (kWh):** 1.98

**Energy consumption (kWh/year):** 236

**Automatic (sensor drying):** Yes

**Certificates:** CE, VDE

### POWER SUPPLY

**Frequency (Hz):** 50

**Power rate (V):** 220-240

**Maximum Nominal Power (W):** 650

**Nominal power motor (W):** 120

### PARTICULAR CHARACTERISTICS

**Glass door diameter (cms):** 37,5

**Number of programs:** 12

**Control panel:** Electronic

**Electronic washing management:** Yes

**Child lock:** Yes

**Bidirectional rotation:** Yes

**Drum light:** Yes

**Drum:** Galvanized

### CONTROL INDICATOR LIGHTS

**SPECIAL FUNCTIONS**

**Selected program indicator:** Yes

**Remaining time:** Yes

**Drying:** Yes

**Dryer timer:** Yes

**Economic program:** Yes

**Delayed Timer (h):** 1-24

**Delicate fabrics:** Yes

**Easy ironing/anti crease:** Yes

**EQUIPMENT**

**Adjustable Feet Back:** Yes

**Adjustable feet front:** Yes



TKS1 810 H

ENERGY LABEL

The energy label for the TEKA TKS1 810 H washing machine is a vertical rectangular sticker with a blue border. At the top left is the European Union flag. To its right, the word "ENERG" is written in large blue letters, with "енергия · ενεργεια" below it. Further right are two small circular icons: one with "Y" and "JA" and another with "IE" and "IA". Below this, the TEKA logo is on the left and the model number "TKS1 810 H" is on the right. The main part of the label features a scale of energy efficiency classes from A+++ (green) at the top to D (red) at the bottom. A black arrow points to the A++ class. Below the scale, the energy consumption is listed as "236 kWh/annum" in a white box with a blue border. Underneath, there are three icons: a washing machine cycle, a clock, and a t-shirt. Below these icons are the values "195 min/cycle\*", "8,0 kg", and "69 dB". At the bottom left is a water consumption icon with the label "ABCDEF" and a small number "392/2012". At the bottom right is a small text block in multiple languages explaining the water consumption icon.

ENERG  
енергия · ενεργεια

Y JA  
IE IA

TeKa TKS1 810 H

A+++  
A++  
A+  
A  
B  
C  
D

A++

236 kWh/annum

ENERGIA · ЕНЕРГИЯ · ENERGIA  
ENERGIJA · ENERGY · ENERGIE  
ENERGI

195 min/cycle\*

8,0 kg

69 dB

ABCDEF

392/2012

\*цикло - циклус - portion - sykylus  
програма - ciclo - tsükkel  
ohjelmä - siklus - ciklus - cikls  
ciklus - sykylus - cykl - ciclo  
program - torkomgång