



# QUADRO DLV 998 90cm A++ Urban Colors Edition Vertical Hood with Contour rim system extraction



LED



Perimeter extraction



Stop Delay Timer



A++ Energy Class

**DESCRIPTION**

90cm A++ Urban Colors Edition Vertical Hood with Contour rim system extraction

**LIFE STYLE**

Maestro

**COLOURS**



**REFERENCE**

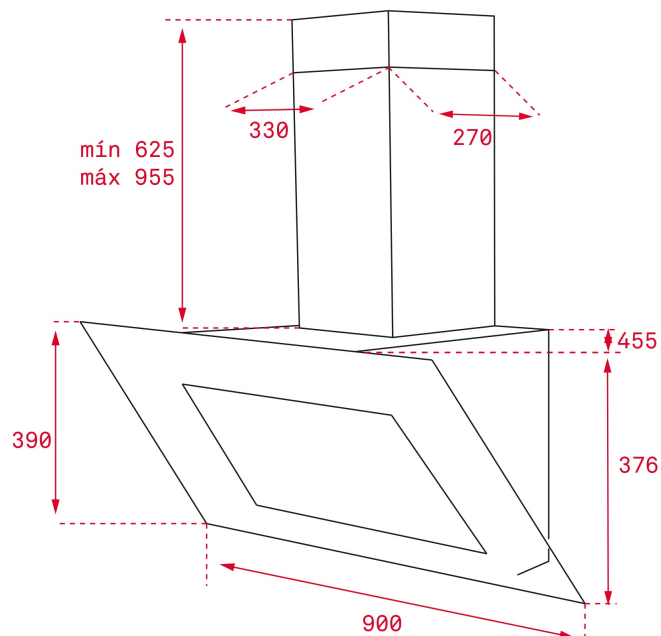
REF. 40437210  
EAN. 8421152145692

**FEATURES**

Quadro vertical hood  
EcoPower motor  
Energy Efficiency class: A++  
Rim extraction  
Touch control panel  
Operating pilot light  
3 speeds + 1 intensive  
Exhaust capacities:  
Free Outlet, m<sup>3</sup>/h: 890  
Qboost, m<sup>3</sup>/h: 815  
Max., m<sup>3</sup>/h: 626  
Min., m<sup>3</sup>/h: 264  
Noise (LwA) Boost Speed, dB: 64,7  
Noise (LwA) Max Speed, dB: 58,2  
Noise (LwA) Min Speed, dB: 37,4  
1 LED bar  
2 Glass panel; aluminum filter below  
Stop delay timer  
Filter saturation indicator

## DIMENSIONS

**Product height (mm):** 800/1200  
**Product width (mm):** 900  
**Product depth (mm):** 450  
**Product length (mm):**  
**Net weight (Kg):** 19,77



## TECH SPECS

### PARTICULAR CHARACTERISTICS

**Type of hood:** Vertical  
**Style:** Decoratives  
**Certificates:** CE; CB; Rohs  
**Ø Outlet (mm):** 150  
**Type of inner light:** LED  
**Inside light Consumption (W):** 7  
**Plug type:** Schuko plug  
**Power rate (V):** 230  
**Frequency (Hz):** 50  
**Total hood power (W):** 172  
**Number of motors:** 1  
**Motor power (W):** 165  
**Exhaust Capacity - Free Outlet (m3/h):** 890

**EU REGULATION NO. 65/2014  
&66/2104**

**Annual energy consumption AEC kWh/annum (kWh):** 27,0  
**Energy Efficiency Class:** A++  
**Fluid Dynamic Efficiency (FDEhood):** 38,2  
**Fluid Dynamic Efficiency class:** A  
**Light Efficiency (Lehood) lux/Watt:** 55,7  
**Lighting Efficiency class:** A

**PRODUCT INFORMATION  
SHEET - DELEGATED  
REGULATION (EU) 65/2014**

**ACCESSORIES**

**MODELS**

**Grease Filtering Efficiency class:** C  
**Air flow (Qmin) m<sup>3</sup>/h:** 264  
**Air flow (Qmax):** 626  
**Air flow (Qboost):** 816  
**Noise (LwA) Min Speed (dB):** 37  
**Noise (LwA) Max Speed (dB):** 58  
**Noise (LwA) boost speed (dB):** 65  
**Off mode Power (Po) W:** 0,32  
**Energy Efficiency Index (EEI):** 36,4  
**Time increase factor:** 0,6  
**Electric power input at best efficiency point (Wbep) W:** 100,0  
**Nominal power of the lighting system (WL) W:** 7  
**Average illumination of the lighting system on the cooking surface (Emiddle) Lux:** 390

**Anti Return valve:** Yes  
**Outlet reduction:** Yes

**Number of filters:** 2  
**Filter description:** Glass panel; aluminum filter below  
**Control panel:** Touch control white display  
**Stop delay timer:** Yes  
**Filter saturation indicator:** Yes  
**Time clock:** Yes  
**Number of speeds:** 3+1

**Supplier name or trademark:** TEKA  
**Model identifier:** QUADRO DLV 998  
**Annual Energy Consumption:** 27,0  
**Energy Efficiency Class:** A++  
**Fluid Dynamic Efficiency:** 38,2  
**Fluid Dynamic Efficiency class:** A  
**Lighting Efficiency:** 55,7  
**Lighting Efficiency class:** A  
**Grease Filtering Efficiency:**  
**Grease Filtering Efficiency class:** C  
**Air flow (min speed normal use):** 264  
**Air flow (max speed normal use):** 626  
**Air flow (intensive or boost use):** 816  
**Airborne acoustical A-weighted sound power emissions (min speed normal use):** 37  
**Airborne acoustical A-weighted sound power emissions (max speed normal use):** 58  
**Airborne acoustical A-weighted sound power emissions (intensive or boost use):** 65  
**Power consumption in off mode (W):** 0,32  
**Power consumption in standby mode (W):** n.a



# QUADRO DLV 998

## ENERGY LABEL

