



# MWE 225 FI 20L Built-in Microwave + Grill



Defrost By  
Time



Defrost By  
Weight



Direct Access  
Menu



20L

## DESCRIPTION

20L Built-in Microwave + Grill

## LIFE STYLE

Total

## COLOURS



## REFERENCE

REF. 40581515  
EAN. 8421152127247

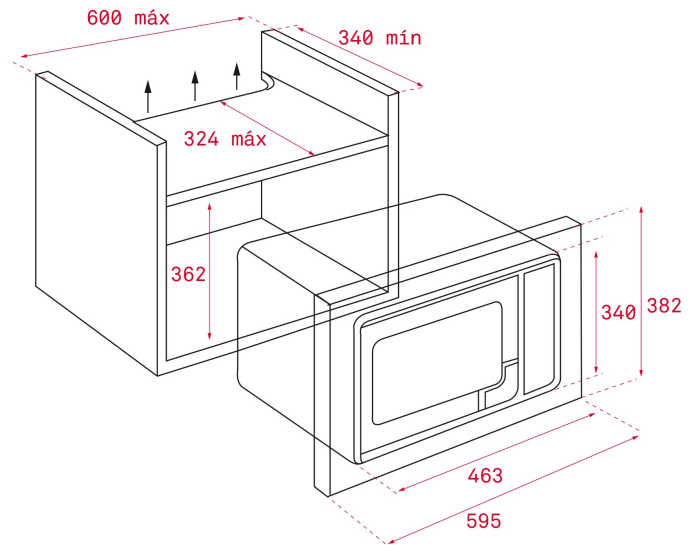


**TEKA**

**MWE 225 FI**

**FEATURES**

Microwave + grill  
Stainless steel (fingerprint proof)  
Electronic Control panel  
Quartz Grill, 1.000 W  
5 power levels, 800 W  
Total gross capacity : 20 litres  
Stainless Steel inner  
Inner and outside gloss door  
Minute minder: 0 - 95 minutes  
Defrosting by weight and time  
Time and electronic functions selector  
8 direct access menu  
+30" function  
Children safety block



## DIMENSIONS

**Product height (mm):** 340  
**Product width (mm):** 463  
**Product depth (mm):** 343  
**Product length (mm):**  
**Net weight (Kg):** 15,0

## TECH SPECS

### PARTICULAR CHARACTERISITICS

**Certificates:** GS / EMC  
**Number of cooking functions:** 3  
**Grill function:** Yes  
**Minute Minder:** Yes  
**Number of guide levels (lower cavity):** 0  
**Microwave function:** Yes  
**Number of power levels:** 5  
**Seconds Quick Start:** Yes

### ELECTRIC CONNECTION

**Maximum Nominal Power (W):** 1250  
**Frequency (Hz):** 50  
**Power rate (V):** 230  
**Inside light Consumption (W):** 20

### ENERGY CONSUMPTION

**Grill (W):** 1000  
**Turbo (W):** 0

**SECURITY SYSTEM**

**Children safety block option:** Yes

**Safety Thermostat:** Yes

**CLEANING SYSTEM**

**Fingerprint proof stainless steel:** Yes

**ACCESSORIES**

**Glass Tray:** 1

**Crunch plate:** 0

