



HLF 840 BK-SS Multifunction oven with 9 cooking functions. 80cm - XXL capacity



Plus extension guides: 75% extraction



77L



HydroClean steam cleaning system



SurroundTemp

DESCRIPTION

Multifunction oven with 9 cooking functions. 80cm - XXL capacity

COLOURS



REFERENCE

REF. 41592305
EAN. 8421152155066

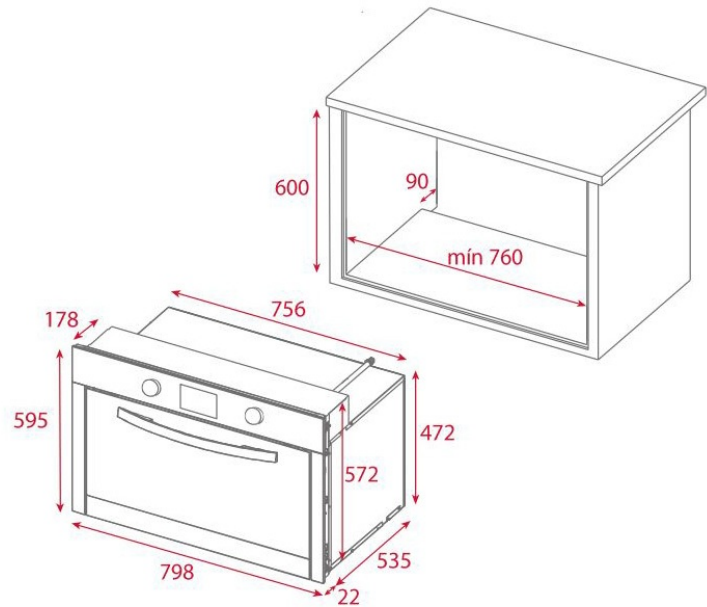


TEKA

HLF 840 BK-SS

FEATURES

Multifunction SurroundTemp oven
9 cooking functions
Touch control display with knob
Electronic timer
Chrome supports with 5 cooking levels
Easy slide telescopic guides
Removable triple glazed door
Children safety lock
Automatic disconnection safety system
Manual quick preheating
Anti-tip deep tray and reinforced grid
Capacity (gross/net): 91 / 77 litres



DIMENSIONS

Product height (mm): 580
Product width (mm): 760
Product depth (mm): 560
Product length (mm):
Net weight (Kg): 49

TECHNICAL DETAILS

FEATURES

Certificates: N / CE / CCA / CB
Number of cavities: 1
Type of inner light: Halogen
Inside light position: SIDE
Min. Temperature Regulator (°C): 50
Max. Temperature Regulator (°C): 250
Function selector: 10+0
Number of cooking functions: 9
Number of memories: 0
Top + Bottom function: Yes
Grill + Bottom function: Yes
Grill function: Yes
MaxiGrill function: Yes
Top + Bottom + Fan function: Yes
Bottom function: Yes
Bottom + TURBO (Pizza) function: Yes
Turbo function: Yes
Touch Control Programmer: Yes
Knobs type: MMX FIX KNOB knurling
Removable chromed tray guides: Yes
Number of guide levels: 5
Easy slide telescopic guides: Yes

ELECTRIC CONNECTION

Drop-down grill: Yes
Forced refrigeration tangential 1 speed: Yes

Maximum Nominal Power (W): 3551
Frequency (Hz): 50/60
Power rate (V): 220-240
Cable Connection Length (cm): 110
Inside light Consumption (W): 25

ENERGY CONSUMPTION

Energy consumption per cycle in conventional mode (kWh):
1.03
Energy consumption per cycle in fan-forced convection mode (kWh): 0,91
Bottom Heating Element (W): 1055
Grill (W): 1700
Maxi Grill (W): 2750
Traditional (W): 2105
Turbo (W): 2400
Multifunction Turbo (W): 30
Cooling Fan Motor (W): 18

SAFETY SYSTEMS

Automatic disconnection when opening the door: Yes
Panel blocking system: Yes
Children safety block option: Yes
Grill protection: Yes
Anti-tip tray system: Yes
Safety Thermostat: Yes

CLEANING SYSTEM

Fingerprint proof stainless steel: Yes
Crystal Clean Enamel (Slippery): Yes

ACCESSORIES

Deep Tray (50 mm): 1
Reinforced grid: 1
Crunch plate: 0

ENERGY EFFICIENCY

Energy Efficiency Class: A
Energy Efficiency Index (EEI): 104,6

