



# SteakMaster Multifunction Pyrolytic oven with special Grill and Cast iron grid for Steaks



DualClean



Plus Extension  
Telescopic  
Guide



HydroClean



Pyrolysis



SoftClose



SurroundTemp

## DESCRIPTION

Multifunction Pyrolytic oven with special Grill and Cast iron grid for Steaks

## LIFE STYLE

Maestro

## COLOURS

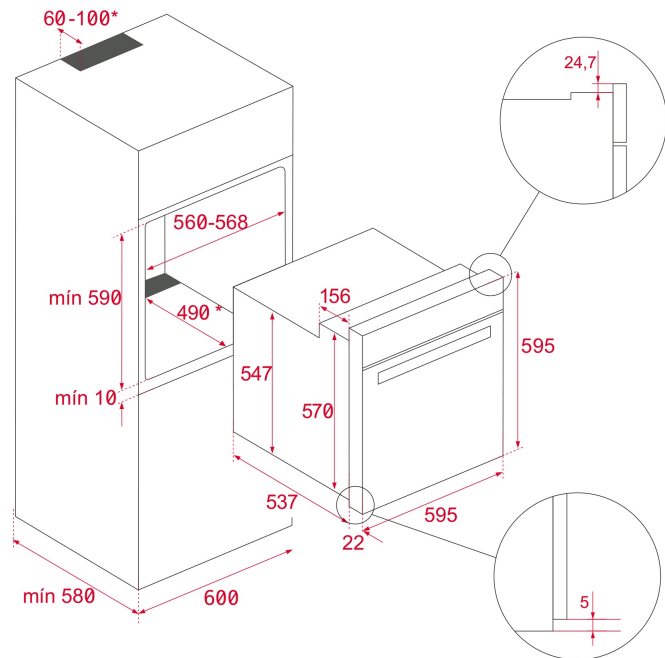


## REFERENCE

REF. 111000026  
EAN. 8434778009910

**FEATURES**

SteakMaster Oven  
Powerful SteakGrill (700°C)  
SurroundTemp Multifunction oven - 12 cooking functions  
DualClean cleaning system: Pyrolytic self-cleaning (3 levels) + HydroClean® PRO  
Enamel Slippery  
A Energy class: up to 20% less consumption  
Capacity, gross/net: 71/63 litres  
TFT 4" true color Touch control  
LED illuminated knobs  
20 automatic programs for meat  
Personal cook assistant: 20 international recipes  
Automatic Express preheating  
SlowCook: low-temperature cooking  
Pizza, ferment, defrosting & ECO functions  
Children safety block, timer, and door  
Automatic disconnection security system  
4 removable glazed door  
SoftClose system  
Full glass inner door  
Plus + Full Extension telescopic guides, 5 cooking levels  
Special cast iron grid for Steaks  
Anti-tip deep tray and reinforced grid  
Tangential ventilation Plus with 2 speeds  
Optional: The SteamBox & cast aluminium tray



## DIMENSIONS

Product height (mm): 595

Product width (mm): 595

Product depth (mm): 537+22

Product length (mm):

Net weight (Kg): 45,8

## TECH SPECS

### PARTICULAR CHARACTERISTICS

**Certificates:** N / CE / CCA / CB / EAC

**Number of cavities:** 1

**Type of inner light:** Halogen

**Inside light position:** Left-Right TOP CORNER

**Enamelled cavity:** Yes

**Function selector:** ELECTRONIC

**Number of cooking functions:** 13

**Number of recipes:** 20

**Number of memories:** 0

**Grill function:** Yes

**MaxiGrill function:** Yes

**Bottom function:** Yes

**Turbo function:** Yes

**ECO function:** Yes

**Ferment function:** Yes

**Automatic quick heating:** Yes

**Slow Cook:** Yes

**Knobs type:** MMX FIX ROTATIVE

**Ring illuminated:** Yes

**Removable chromed tray guides:** Yes

**Number of guide levels:** 5

**Easy slide telescopic guides:** Yes

**ELECTRIC CONNECTION**

**ENERGY CONSUMPTION**

**SECURITY SYSTEM**

**CLEANING SYSTEM**

**ACCESSORIES**

**ENERGY EFFICIENCY**

**PRODUCT INFORMATION  
SHEET - DELEGATED  
REGULATION (EU) 65/2014**

**SoftClose:** Yes

**Maximum Nominal Power (W):** 3518  
**Frequency (Hz):** 50/60  
**Power rate (V):** 220-240  
**Cable Connection Length (cm):** 150  
**Plug:** Yes  
**Inside light Consumption (W):** 2x25

**Energy consumption per cycle in conventional mode (kWh):**  
1.01  
**Energy consumption per cycle in fan-forced convection mode (kWh):** 0,77  
**Bottom Heating Element (W):** 1050  
**Grill (W):** 2400  
**Maxi Grill (W):** 3450  
**Traditional (W):** 2100  
**Turbo (W):** 2000  
**Multifunction Turbo (W):** 25  
**Turnspit motor (W):** 0  
**Cooling Fan Motor (W):** 30

**Automatic disconnection when opening the door:** Yes  
**Panel blocking system:** Yes  
**Children safety block option:** Yes  
**Grill protection:** Yes  
**Anti-tip tray system:** Yes  
**Safety Thermostat:** Yes

**Crystal Clean Enamel (Slippery):** Yes  
**Hydroclean PRO:** Yes  
**Pyrolytic:** Yes  
**DualClean:** Yes

**Deep Tray (50 mm):** 1  
**Cast iron tray:** SteakTray  
**Steak tray:** 1  
**Reinforced grid:** 1

**Energy Efficiency Class:** A  
**Energy Efficiency Index (EEI):** 95

**Supplier name or trademark:** TEKA  
**Model identifier:** STEAKMASTER  
**Number of cavities:** 1

**Cavity 1**

**Energy Efficiency Index:** 95  
**Energy Efficiency Class:** A  
**Energy consumption per cycle (conventional mode):** 1.01  
**Energy consumption per cycle (fan-forced convection mode):**  
0,77  
**Heat source :** Electric  
**Volume:** 71

