



LSI5 1481 EU Washer dryer integrable 8kg capacity and 5kg drying system handwashable energy classification



Quick Cycle



Washing capacity: 8Kg

DESCRIPTION

Washer dryer integrable 8kg capacity and 5kg drying system handwashable energy classification

LIFE STYLE

Maestro

COLOURS



REFERENCE

REF. 114030004
EAN. 8434778015423

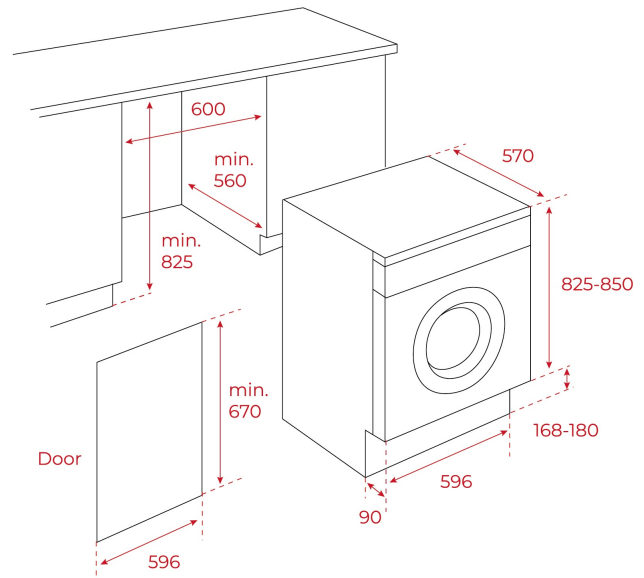


TEKA

LSI5 1481 EU

FEATURES

Built-in Washer-Dryer
Electronic control panel
Washing capacity: 8 kg
Drying capacity: 5 kg
Washing programs: 13
Drying programs: 2
Fast program: 14 minutes
Special programs: ECO mode, Delicate
Special functions: Delay timer, Stain type, Time dry
Condenser heat pump
Maximum spinning speed: 1400 RPM
Automatic water regulation
Automatic door lock safety system
Child lock
SoftCare drum
Delay timer: 1-24 hours
35 cm wide porthole door



DIMENSIONS

Product height (mm): 820
Product width (mm): 596
Product depth (mm): 570
Product length (mm):
Net weight (Kg): 64

TECH SPECS

PRODUCT SHEET

Type of installation: Built-in
Drying capacity (Kgs): 5
Energy consumption (kWh/year): 220
Water consumption (litres/year): 11000

POWER SUPPLY

Frequency (Hz): 50
Power rate (V): 220-240
Maximum Nominal Power (W): 1600
Nominal power motor (W): 350
Power of heating element (W): 1600

PARTICULAR CHARACTERISTICS

Stainless Steel Drum: Yes
Number of programs: 13
Control panel: SYMBOL
Auto lock door: Yes
Cancel spin cycle button: Yes

CONTROL INDICATOR LIGHTS

Selected program indicator: Yes

Remaining time: Yes

Drying: Yes

Dryer timer: Yes

SPECIAL FUNCTIONS

Fast program: Yes

Fast program (minutes): 14

Economic program: Yes

Intense program: Yes

Delicate fabrics: Yes

Resistant: Yes

EQUIPMENT

Adjustable Feet Back: Yes

Adjustable feet front: Yes



LSI5 1481 EU

ENERGY LABEL

The image shows a standard EU energy label for a TEKA LSI5 1481 EU washing machine. The label is rectangular with a yellow border and contains the following information:

- Header:** The European Union flag, the word "ENERGY" with a lightning bolt icon, a QR code, the brand name "TEKA", and the model number "LSI5 1481 EU".
- Energy Efficiency Scale:** A vertical scale of seven colored arrows labeled A (green), B (light green), C (yellow-green), D (yellow), E (orange), F (dark orange), and G (red). A black arrow labeled "D" points to the D level on the left side.
- Energy Consumption:** Two water tap icons with the values "266 kWh/1000 cycles" and "47 kWh/1000 cycles".
- Capacity:** A washing basket icon with "5,0 kg" and a larger basket icon with "8,0 kg".
- Water Consumption:** A water tap icon with "75 L" and a smaller tap icon with "44 L".
- Spin Cycle:** A clock icon with "9:10" and "3:38".
- Sound Power Level:** A speaker icon with "75 dB" and a scale "A B C D E F G".
- Additional Information:** A small "PSE/EN60455" logo at the bottom right.