



**LP8 820 A++** Free Standing dishwasher for 12 place settings and 6 washing programs



ECO function



A Energy Class

**DESCRIPTION**

A++ Free Standing dishwasher for 12 place settings and 6 washing programs

**LIFE STYLE**

Total

**COLOURS**

**REFERENCE**

REF. 40782365  
EAN. 8421152131732

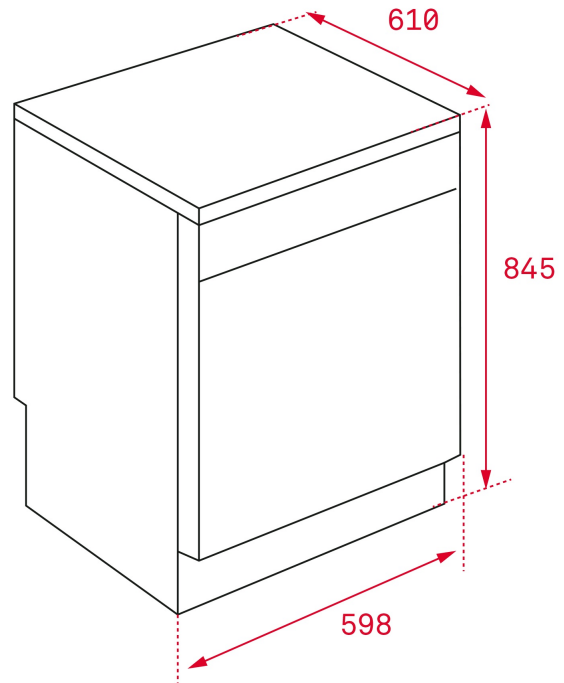


**TEKA**

**LP8 820**

## **FEATURES**

Free-standing dishwasher  
Electronic control panel with display  
Place settings: 12  
Washing programs: 6  
Washing temperatures: 40°, 45°, 50°, 60°, 65°C  
Half load program  
Eco Program  
AquaStop safety system  
Delay timer 1-24 hours  
Adjustable upper basket  
Energy Class: A++/A  
Noise level: 49 dBA



## DIMENSIONS

**Product height (mm):** 845  
**Product width (mm):** 598  
**Product depth (mm):** 610  
**Product length (mm):**  
**Net weight (Kg):** 43,5

## TECH SPECS

### FITTING MEASURES

**Built-in niche height (cm):** NA  
**Maximum door height (mm):** 707  
**Door width (mm):** 587

### PRODUCT SHEET

**Capacity (Place Settings):** 12  
**Energy Efficiency Class:** A++  
**Energy consumption (kWh/year):** 258  
**Power consumption (Kwh):** 0,91  
**Water consumption (litres/year):** 3080  
**Water consumption (litres):** 11  
**Washing efficiency:** A  
**Drying efficiency class:** A  
**Standard program:** ECO  
**Standard cycle duration (minutes):** 185  
**Noise level (dB):** 49  
**Certificates:** GS/CE/EMC/Rohs

### POWER SUPPLY

**Frequency (Hz):** 50  
**Power rate (V):** 220-240

**PARTICULAR  
CHARACTERISITICS**

**Power rate (W):** 1760-2100  
**Plug type:** EU  
**Maximum Nominal Power (W):** 2100

**Type of installation:** Free standing  
**Control panel:** Electronic buttons  
**Control panel display:** Yes  
**Number of programs:** 6  
**Number Of Washing Temperatures:** 5  
**Water softener:** Yes  
**Microfilter:** Yes

**SECURITY SYSTEM**

**Internal Leakage Control:** Yes

**CONTROL INDICATOR LIGHTS**

**Low Salt Aid indicator:** Yes  
**Low Rinse Aid indicator:** Yes  
**Selected program indicator:** Yes  
**Remaining time:** Yes  
**End of program acoustic alarm:** Yes  
**End of program visual alarm:** Yes

**SPECIAL FUNCTIONS**

**Soak/Prewash program:** Yes  
**Economic program:** Yes  
**Half load:** Yes  
**Delayed Timer (h):** 1-24

**EQUIPMENT**

**Adjustable Feet Back:** Yes  
**Adjustable feet front:** Yes



LP8 820

ENERGY LABEL

