



# SteakMaster Multifunction Pyrolytic oven with special Grill and Cast iron grid for Steaks



A Energy Class



DualClean:  
Pyrolysis +  
HydroClean



Plus extension  
telescopic  
guide



HydroClean



Pyrolytic  
cleaning  
system with 3  
cleaning levels



SoftClose



SurroundTemp,  
extra rear  
resistance for a  
uniform  
cooking

## DESCRIPTION

Multifunction Pyrolytic oven with special Grill and Cast iron grid for Steaks

## LIFE STYLE

Maestro

## COLOURS



## REFERENCE

REF. 111000026



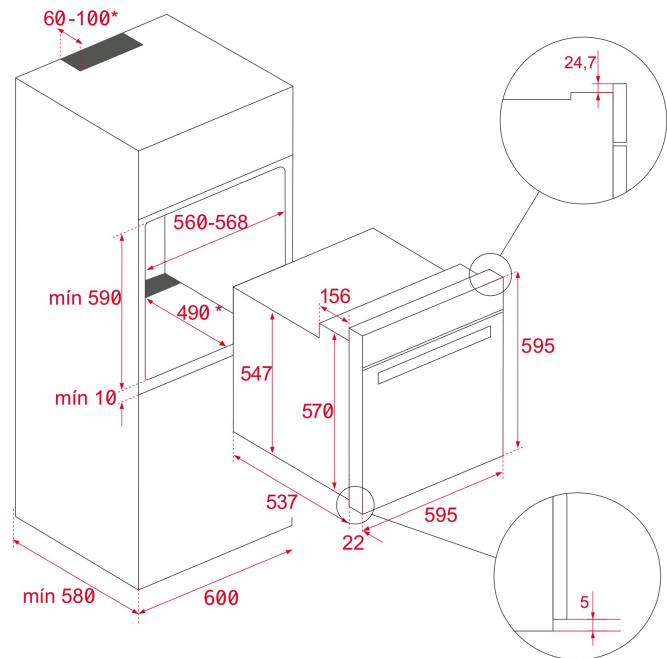
## SteakMaster

### FEATURES

SteakMaster Oven  
Powerfull SteakGrill (700°C)  
SurroundTemp Multifunction oven - 12 cooking functions  
DualClean cleaning system: Pyrolytic selfcleaning (3 levels) +  
Teka HydroClean® PRO  
Enamel Slippery  
A+ Energy class: up to 20% less consumption  
Capacity, gross/net: 71/63 litres  
TFT 4" true color Touch control  
LED illuminated knobs  
20 automatic programs for meat  
Personal cook assistant: 20 international recipes  
Automatic Express preheating  
SlowCook: low temperature cooking  
Pizza, ferment, defrosting & ECO functions  
Children safety block, timer and door  
Automatic disconnection security system  
4 removable glazed door  
SoftClose system  
Full glass inner door  
Plus + Full Extension telescopic guides, 5 cooking levels  
Special cast iron grid for Steaks  
Anti-tip deep tray and reinforced grid  
Tangential ventilation Plus with 2 speeds  
Optional: The SteamBox & cast aluminium tray



**SteakMaster**



## DIMENSIONS

**Product height (mm):** 595

**Product width (mm):** 595

**Product depth (mm):** 537+22

**Net weight (Kg):** 40

## TECH SPECS

### PARTICULAR CHARACTERISTICS

**Energy Efficiency Index (EEI):** 95

**Energy consumption per cycle in conventional mode (kWh):**

0.87

**Number of cavities:** 1

**Energy consumption per cycle in fan-forced convection mode (kWh):** 0,77

**Fingerprint proof stainless steel:** Yes

**Knobs type:** MMX FIX ROTATIVE

**Ring illuminated:** Yes

**Chromed Tray Guides (levels):** 5

**SoftClose:** Yes

**Removable chromed tray guides:** Yes

**Cooking Functions:** 12

**Slow Cook:** Yes

**Grill:** Yes

**MaxiGrill:** Yes

**Bottom:** Yes

**Turbo:** Yes

**ECO:** Yes

**Ferment:** Yes

**Automatic quick heating:** Yes

**Recipes:** 20

## **ELECTRIC CONNECTION**

**Inside light Consumption (W):** 25  
**Inside Light (LED-Halogen-Incandescent):** Halogen  
**Inside light position:** Left-Right top corner

**Frequency (Hz):** 50/60  
**Power rate (V):** 220-240  
**Cable Connection Length (cm):** 150  
**Maximum Nominal Power (W):** 3552  
**Plug:** Yes

## **ENERGY CONSUMPTION**

**Bottom Heating Element (W):** 1050  
**Cooling Fan Motor (W):** 30  
**Maximum power:** 2450  
**Multifunction Turbo (W):** 25  
**Grill (W):** 2400  
**Maxi Grill (W):** 3500  
**Turnspit motor (W):** 0

## **SECURITY SYSTEM**

**Automatic disconnection when opening the door:** Yes  
**Grill protection:** Yes  
**Safety Thermostat:** Yes  
**Children safety block option:** Yes  
**Anti-tip tray system:** Yes  
**Full glazed doors:** 4

## **CLEANING SYSTEM**

**Crystal Clean Enamel (Slippery):** Yes  
**DualClean:** Yes  
**Pyrolitic:** Yes  
**Hydroclean PRO:** Yes

## **ACCESSORIES**

**Reinforced grid:** Yes  
**Deep Tray (50 mm):** Yes  
**Baking Tray:** Yes

## **ENERGY EFFICIENCY**

**Energy Efficiency Class:** A



SteakMaster

ENERGY LABEL

