



**DW8 60 S** 60cm A+ Built-in Dishwasher with capacity for 13 cutlery



ECO function



SmartSensor



A+ Energy  
Class

**DESCRIPTION**

60cm A+ Built-in Dishwasher with capacity for 13 cutlery

**LIFE STYLE**

Total

**COLOURS**

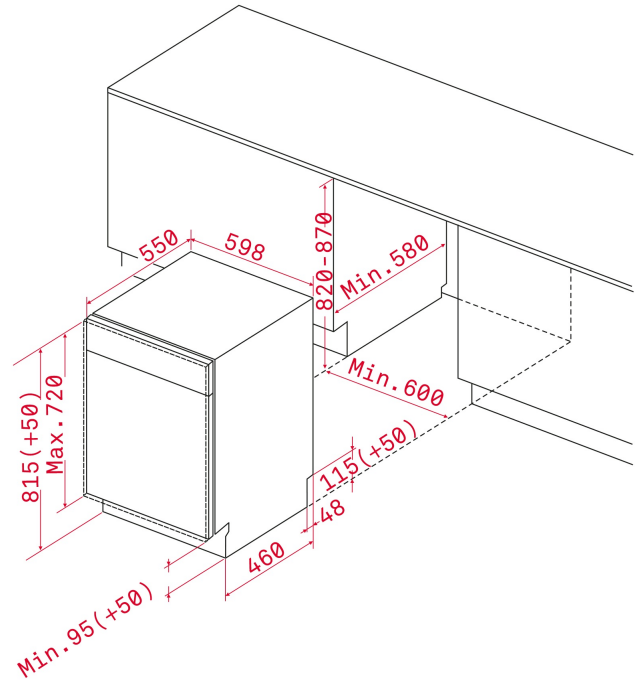


**REFERENCE**

REF. 40716160  
EAN. 8421152072196

**FEATURES**

Partially integrated dishwasher  
Electronic control panel  
Place Settings: 13  
Washing programs: 5  
Washing temperatures: 38°, 55°, 65°, 70° C  
Full Aquastop  
Aqualogic  
3 in 1 selector  
Dual half load  
Fast program 38 minutes  
Eco program  
Intensive program (70 °C)  
Third sprayer  
5 positions water softener with  
electronic adjustment  
Automatic adjustable upper basket  
Indicator pilots for: On-off, lack of salt  
and rinse aid  
Back feet adjustment from front  
Energy class: A+/A  
Noise level Db(A): 47  
Power supply: 220/230V -50 Hz



## DIMENSIONS

**Product height (mm):** 820-870  
**Product width (mm):** 596  
**Product depth (mm):** 550  
**Product length (mm):**  
**Net weight (Kg):** 41

## TECH SPECS

### FITTING MEASURES

**Built-in niche height (cm):** 82  
**Maximum door height (mm):** 594  
**Plinth (mm):** 50  
**Door width (mm):** 596

### PRODUCT SHEET

**Capacity (Place Settings):** 13  
**Energy Efficiency Class:** A+  
**Energy consumption (kWh/year):** 294  
**Power consumption (Kwh):** 1,05  
**Water consumption (litres/year):** 2660  
**Water consumption (litres):** 9.5  
**Washing efficiency:** A  
**Drying efficiency class:** A  
**Noise level (dB):** 47  
**Certificates:** CE-VDE

### POWER SUPPLY

**Frequency (Hz):** 50  
**Power rate (V):** 220-230  
**Power rate (W):** 1900

**PARTICULAR  
CHARACTERISITICS**

**Plug type:** EU  
**Maximum Nominal Power (W):** 1900

**Type of installation:** Built-in  
**Control panel:** Electronic buttons  
**Number of programs:** 5  
**Number Of Washing Temperatures:** 4  
**Aqua-Logic:** Yes  
**Water softener:** Yes  
**Microfilter:** Yes

**SECURITY SYSTEM**

**Internal Leakage Control:** Yes  
**Aquastop:** Yes

**CONTROL INDICATOR LIGHTS**

**Low Salt Aid indicator:** Yes  
**Low Rinse Aid indicator:** Yes  
**Selected program indicator:** Yes  
**End of program acoustic alarm:** Yes  
**End of program visual alarm:** Yes

**SPECIAL FUNCTIONS**

**Fast program:** Yes  
**Fast program (minutes):** 38  
**Economic program:** Yes  
**Alternative wash (Zone Wash):** Yes  
**Delayed Timer (h):** NO

**EQUIPMENT**

**Adjustable Feet Back:** Yes  
**Adjustable feet front:** Yes  
**3rd sprayer:** Yes  
**Adjustable back feet from front:** Yes



DW8 60 S

ENERGY LABEL

