



RFD 77820 190cm A++ French Door No Frost Refrigerator



High efficiency
Inverter Motor



On Holidays
function



Gourmet Box,
drawer with
temperature
selection
between -2°
and 3° C



IonClean
Technology,
neutralise
bacteria and
bad odours



LED lighting



LongLife No
Frost,
independent
cooling circuits



VitaCare Box,
keeps fruit and
vegetables
fresh



A++ Energy
Class

DESCRIPTION

190cm A++ French Door No Frost Refrigerator

LIFE STYLE

Maestro

COLOURS



REFERENCE

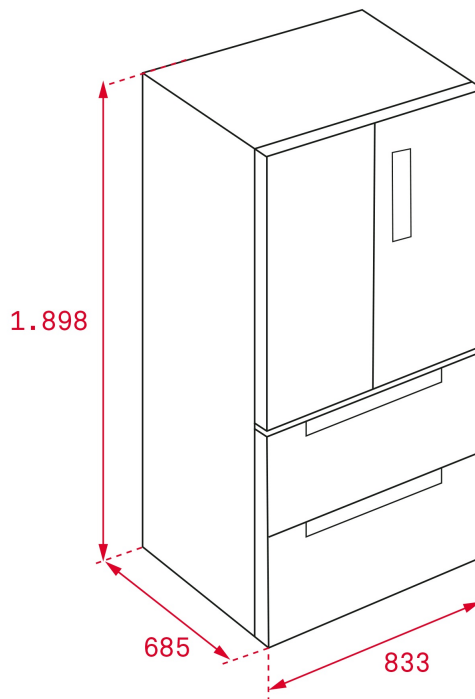
REF. 113430005
EAN. 8434778001488

FEATURES

French Door Gourmet Refrigerator
Motor inverter with high efficiency compressor
IonClean technology to neutralize bacteria and bad odours
LongLife No Frost with 3 independent circuits
Touch control with independent temperature regulator
Chromed details
Gourmet Box with telescopic guides and softclose, interior light, display, and Touch control with independent temperature regulator between -2° and +3°C
2 VitaCare Box drawers with independent humidity control
Top and back LED light
TempGuard Radar technology
Interior LED light in freezer
Pull-out telescopic softclose drawer with deep tray and two special drawers for meat and fish
Pull-out telescopic softclose deep drawer with an upper tray with telescopic guides
Removable freezer drawers for easy cleaning

DIMENSIONS

Product height (mm): 1898
Product width (mm): 833
Product depth (mm): 685
Product length (mm):
Net weight (Kg): 136



TECH SPECS

FITTING MEASURES

Built-in Width (mm): 0
Built-in Depth (mm): 0
Built-in Height (mm): 0

PRODUCT SHEET

Cooling system: LongLife No Frost
Energy Efficiency Class: A++
No Frost In Refrigerator Compartment: Yes
No Frost in chiller: Yes
No Frost in freezer compartment: Yes
Total gross capacity (litres): 537
Refrigerator compartment capacity (litres): 304
Chilling Compartment Capacity (litres): 31
Freezer compartment capacity (litres): 165
Freezer classification: 4
Freezing capacity: 13,0
Annual Consumption (kWh/year): 333
Temperature Rise Time (h): 15
Climate class: T
Noise level (dB): 42
Certificates: CB/DE

POWER SUPPLY

Frequency (Hz): 50
Power rate (V): 230
Power rate (W): 250
Defrost element power (W): 250
Energy consumption (kw/day): 0,915
Cable Connection Length (cm): 175

PARTICULAR CHARACTERISITICS

Type of installation: Free standing
Automatic defrosting in the refrigeration compartment: Yes
Automatic defrosting in the freezer compartment: Yes
Electronic adjustable thermostat: Yes
Display on door: Yes
Fingerprint proof door: Yes
Antibacterial treatment: IonClean
Freezing set button: Yes
Cooling set button: Yes
Lock function: Yes
Fast freezing: Yes
Fast Cooling Function: Yes
On Holidays Function: Yes
Inner light: Yes
Type of inner light: LED
Integrated handle: Yes

CONTROL INDICATOR LIGHTS

Operating light fridge: Yes
Operating light freezer: Yes
Freezer compartment temperature display: Yes
Fast freezing indicator: Yes
Acoustic alarm: Yes
Visual alarm: Yes

EQUIPMENT

Antibacterial gasket: Yes
Multipurpose compartment: NO
Ice cubes tray: 1
Bottle rack type: CHROMED
Dairy covered compartment: Yes
Adjustable feet front: Yes
Roller (rear): Yes
Refrigerator adjustable shelves: Yes
Vegetable drawers: 2
Temperature and humidity regulation in drawers: VitaCare Box



RFD 77820

ENERGY LABEL

The energy label for the TEKA RFD 77820 S refrigerator features the following information:

- Model:** RFD 77820 S
- Energy Class:** A++ (indicated by a black arrow pointing to the A++ bar on the scale)
- Energy Consumption:** 333 kWh/annum
- Net Capacity:** 335 L
- Ice Maker Capacity:** 165 L
- Noise Level:** 42 dB
- Standards:** 2010/1060

The label also includes the EU Energy Label logo, the TEKA logo, and the word "ENERG" in multiple languages (English, Russian, Ukrainian, and Italian).