



TK3 1490 WD 9kg Free Standing Washer Dryer



Quick cycle
program



6Kg washing
capacity



9Kg washing
capacity

DESCRIPTION

9kg Free Standing Washer Dryer

LIFE STYLE

Total

COLOURS



REFERENCE

REF. 40878061
EAN. 8421152127612



TEKA

TK3 1490 WD

FEATURES

Free standing washer-dryer

Washing capacity : 9 kg

Drying capacity : 6 kg

11 washing programmes

4 drying programmes

Electronic control panel

LED display

Maximum spin speed : 1400 rpm

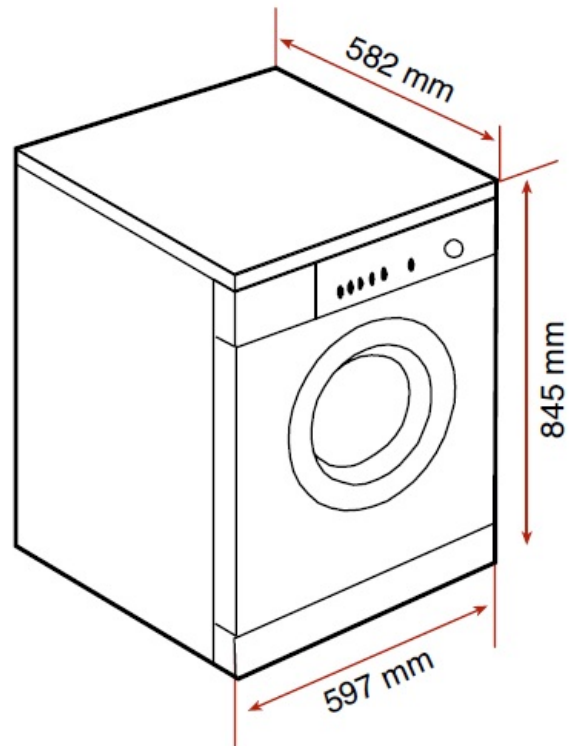
Fast program 12 minutes

Automatic water regulation

Delay timer 1-24h

33 cm wide porthole

Energy class A/A

TEKA**TK3 1490 WD**

DIMENSIONS

Product height (mm): 845
Product width (mm): 597
Product depth (mm): 582
Product length (mm):
Net weight (Kg): 78

TECH SPECS

PRODUCT SHEET

Type of load: FRONT
Type of installation: Free standing
Washing capacity (Kgs): 9
Drying capacity (Kgs): 6
Energy consumption (kWh/year): 210
Water consumption (litres/year): 9800
Maximum spinning speed (RPM): 1400
Certificates: CE + IMQ + VDE

POWER SUPPLY

Frequency (Hz): 50
Power rate (V): 220-240
Maximum Nominal Power (W): 2200
Nominal power motor (W): 200
Power of heating element (W): 1850

PARTICULAR CHARACTERISTICS

Stainless Steel Drum: Yes
Glass door diameter (cms): 47
Number of programs: 11
Control panel: ELECTRONIC

CONTROL INDICATOR LIGHTS

Electronic washing management: Yes
Child lock: Yes
Auto lock door: Yes
Cancel spin cycle button: Yes
Removable work top: Yes

SPECIAL FUNCTIONS

Selected program indicator: Yes
Remaining time: Yes
Drying: Yes
Dryer timer: Yes

EQUIPMENT

Fast program: Yes
Fast program (minutes): 12
Economic program: Yes
Intense program: Yes
Extra rinse: Yes
Delicate fabrics: Yes
Resistant: Yes

PRODUCT INFORMATION SHEET (UE) 2019/2014

Adjustable Feet Back: Yes
Adjustable feet front: Yes

Supplier's name or trade mark : VESTEL
Supplier's address : -
Model identifier : TK3 1490 WD (EXP)

General product parameters

Rated capacity for the eco 40-60 programme (Kg) : 9

Dimensions (cm)

Height : 84,5
Width : 59,7
Depth: 58,2

Consumption and efficiency

Energy Efficiency Index (a):
Energy efficiency class (a):
Washing efficiency index (a): 1,04
Rinsing effectiveness (g/kg) (a): 5
Energy consumption in kWh per cycle, based on the eco 40-60 programme. Actual energy consumption will depend on how the appliance is used.:
Water consumption in litre per cycle, based on the eco 40-60 programme. Actual water consumption will depend on how the appliance is used and on the hardness of the water.:

Maximum temperature inside the treated textile (a) (°C)

Rated capacity:
Half capacity:
Quarter capacity:

Remaining moisture content (a) (%)

Rated capacity:
Half:
Quarter:

Spin speed (a) (rpm)

Rated capacity: 1400

Half: 1400
Quarter: 1400
Spin-drying efficiency class (a): B

Eco 40-60 programme duration (a) (h:min)

Rated capacity:

Half:

Quarter:

Other

Type: Free standing

Airborne acoustical noise emissions in the spinning phase (a) (dB(A) re 1 pW):

Airborne acoustical noise emission class (a) (spinning phase):

Off-mode (W): 0,5

Standby mode (W): 1

Delay start (W) (if applicable): 4

Networked standby (W) (if applicable): 2

Minimum duration of the guarantee offered by the supplier (b): -

This product has been designed to release silver ions during the washing cycle YES/NO: 0

Additional information:

Weblink to the supplier's website, where the information in point 9 of Annex II to Commission Regulation (EU) 2019/2023 (1) (b) is found:

(a) for the eco 40-60 programme.

(b) changes to these items shall not be considered relevant for the purposes of paragraph 4 of Article 4 of Regulation (EU) 2017/1369.

(c) if the product database automatically generates the definitive content of this cell the supplier shall not enter these data.

Rated capacity for the eco 40-60 programme, at 0,5 kg intervals (c):

Energy consumption of the eco 40-60 programme at rated capacity (EW,full): 1,17

Energy consumption of the eco 40-60 programme at half rated capacity (EW,½): 0,543

Energy consumption of the eco 40-60 programme at quarter rated capacity (EW,1/4): 0,281

Weighted energy consumption of the eco 40-60 programme (EW): -

Standard energy consumption of the eco 40-60 programme (SCEW): 0,951

Energy Efficiency Index (EEIW):

Water consumption of the eco 40-60 programme at rated capacity (WW,full): 55,8

Water consumption of the eco 40-60 programme at half rated capacity (WW,½): 39,9

Water consumption of the eco 40-60 programme at quarter rated capacity (WW,1/4): 37

Weighted water consumption (WW): -

Washing efficiency index of the eco 40-60 programme at rated capacity (Iw): 1,04

Washing efficiency index of the eco 40-60 programme at half rated capacity (Iw): 1,05

Washing efficiency index of the eco 40-60 programme at quarter rated capacity (Iw): 1,05

Rinsing effectiveness of the eco 40-60 programme at rated capacity (IR): 4,7

Rinsing effectiveness of the eco 40-60 programme at half rated capacity (IR): 4,6

Rinsing effectiveness of the eco 40-60 programme at quarter rated capacity (IR): 4,5

**TECHNICAL DOCUMENTATION
(UE) 2019/2014**

Programme duration of the eco 40-60 programme at rated capacity (tw):

Programme duration of the eco 40-60 programme at half rated capacity (tw):

Programme duration of the eco 40-60 programme at quarter rated capacity (tw):

Temperature reached for minimum 5 min inside the load during eco 40-60 programme at rated capacity (T):

Temperature reached for minimum 5 min inside the load during eco 40-60 programme at half rated capacity (T):

Temperature reached for minimum 5 min inside the load during eco 40-60 programme at quarter rated capacity (T):

Spin speed in the spinning phase of the eco 40-60 programme at rated capacity (S): 1404

Spin speed in the spinning phase of the eco 40-60 programme at half rated capacity (S): 1402

Spin speed in the spinning phase of the eco 40-60 programme at quarter rated capacity (S): 1402

Remaining moisture content for the eco 40-60 programme at rated capacity (Dfull):

Remaining moisture content for the eco 40-60 programme at half rated capacity (D1/2):

Remaining moisture content for the eco 40-60 programme at quarter rated capacity (D1/4):

Weighted remaining moisture content (D):

Airborne acoustical noise emissions during eco 40-60 programme (spinning phase):

Power consumption in 'off mode' (Po): 0,5

Power consumption in 'standby mode' (Psm): 1

Does 'standby mode' include the display of information?

YES/NO:

Power consumption in 'standby mode' (Psm) in condition of networked standby (if applicable): 2

Power consumption in 'delay start' (Pds) (if applicable): 4

Additional information:

(c) where appropriate, the references of the harmonised standards applied;

(d) where appropriate, the other technical standards and specifications used;

(e) the details and the results of calculations performed in accordance with Annex IV;

(f) a list of all equivalent models including the model identifier.



TK3 1490 WD

ENERGY LABEL

Energy Washer-Dryer

Manufacturer **teka**
Model **TK3 1490 WD**

More efficient

Less efficient

Energy consumption kWh <small>(to wash and dry a full capacity wash load at 60°C)</small>	6.12
Washing (only) kWh <small>Actual energy consumption will depend on how the appliance is used</small>	0.90
Washing performance <small>A: higher G: lower Spin speed (rpm)</small>	A B C D E F G 1400
Capacity (cotton) kg	Washing 9.0 Drying 6.0
Water consumption (total) l	112
Noise (dB(A)re 1 pW)	Washing 58 Spinning 77 Drying 64

Further information is contained in product brochures.

Norm EN 50229
Washer-dryer Label Directive No 96/60/EC.