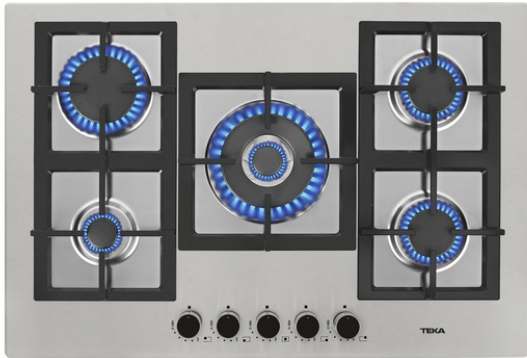
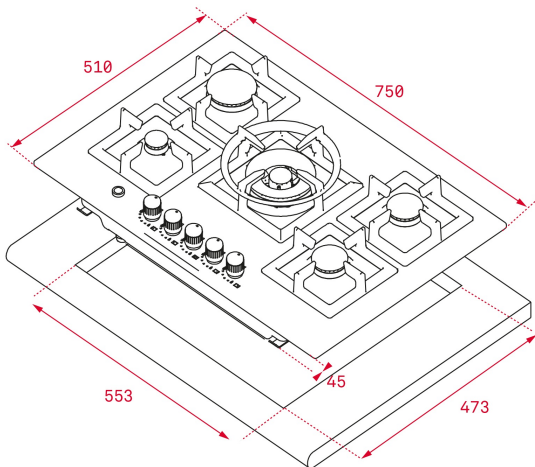


**TEKA****EFX 70.1 5G AI AL DR CI**

Stainless steel gas with frontal control knobs of butane and natural gas

Auto  
ignition

Autolock

**REFERENCE**

REF: 112610049

EAN: 8434778019599

**FEATURES**

Gas hob  
Frontal control knobs  
5 cooking zones  
1 double ring burner, 4.00 kW  
1 fast burner, 3.00 kW  
2 semi fast burners, 1.7 kW  
1 auxiliary burner, 1 kW  
Stainless steel surface  
Auto ignition  
Auto-lock safety system  
Cast iron grids  
Maximum nominal power 11.500 W  
Optional: Wok support

**DIMENSIONS****Product height (mm):** 91**Product width (mm):** 750**Product depth (mm):** 510**Product length (mm):****Net weight (Kg):** 12,65**TECHNICAL DETAILS**

Power rate (V): n.a.

Frequency (Hz): n.a.

Maximum Nominal Power (W): -

**COLOURS**

112610049

Stainless steel

**ENERGY EFFICIENCY**

Power consumption in standby mode (W): -

Time to reach standby mode (min): -