

**TEKA****NFL 460 SS**

Full No Frost bottom freezer refrigerator with inverter motor and antibacterial gasket



Motor Inverter



On Holidays function



Easy 90



Fresh Box



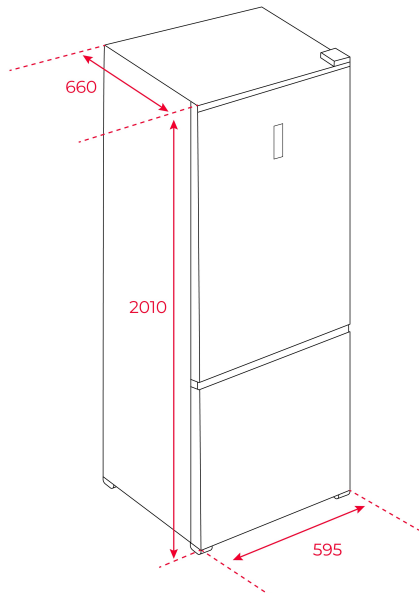
Full No Frost



LED



Zero Box

**REFERENCE**

REF: 113400012

EAN: 8434778021363

**FEATURES**

Free Standing bottom freezer refrigerator  
 Full No Frost  
 Outer control display  
 Electronic adjustable thermostat  
 ZeroBox drawer + 1 FreshBox drawer  
 3 safety glass shelves  
 On holidays function  
 Fast freezing and fast cooling function  
 Front adjustable feet  
 LED Illumination  
 Reversible doors  
 Climate class: SN/N/ST/T  
 Total capacity (net): 378 litres  
 Bottle rack included  
 Ice cube tray included

**DIMENSIONS****Product height (mm):** 2010**Product width (mm):** 595**Product depth (mm):** 660**Product length (mm):****Net weight (Kg):** 79**TECHNICAL DETAILS**

Energy efficiency class (UE 2019/2016): D

Climate Class: SN/N/ST/T

Energy Consumption (Kw/day): 0,581

Annual Consumption (kWh/year): 212

Freezing Capacity: 8,5

Noise Level (dBA): 41

Power rate (V): 220-240

Frequency (Hz): 50

**COLOURS**

113400012

Stainless steel