

Stone 45 S-TG 1B 1D

Inset Tegrinite sink with one bowl and one drainer

REFERENCE

REF: 115330052

EAN: 8434778006605

FEATURES

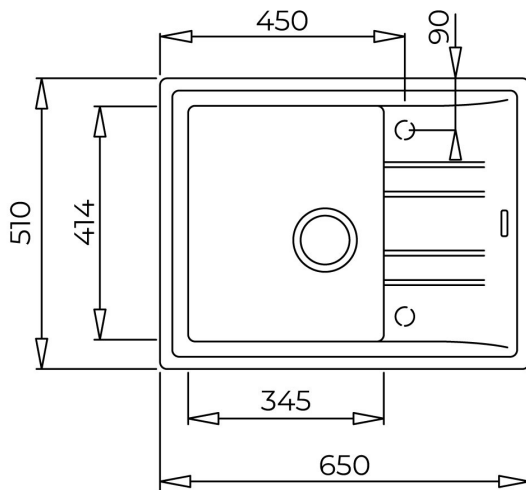
Stone Series
 Tegrinite+ sink
 One bowl and one drainer
 High resistance surface to impacts, thermal shocks and high temperatures
 Excellent UV resistance against decoloring
 Bacteria-free surface very easy to clean
 Inset installation
 80% quartz and resins
 3½" automatic basket waste with siphon
 200 mm deep bowl
 45 cm base unit

200mm
depthColour
Intensity

Easy Clean



Food safe

High
resistance**DIMENSIONS****Product height (mm):****Product width (mm):** 510**Product depth (mm):** 200**Product length (mm):** 650**Net weight (Kg):** 10,5**COLOURS**

| | | |
|--|-----------|----------------|
| | 115330052 | Metallic black |
| | 115330049 | Dark grey |
| | 115330049 | White |
| | 115330049 | Topasbeige |
| | 115330049 | Sandbeige |
| | 115330049 | Carbon |
| | 115330049 | Metallic grey |