



NC 985 90cm Ultraslim Glass Wing Decorative with ECOPOWER motor



LED



Stop Delay
Timer

DESCRIPTION

90cm Ultraslim Glass Wing Decorative with ECOPOWER motor

LIFE STYLE

Total

COLOURS

REFERENCE

REF. 40455382
EAN. 8421152130537



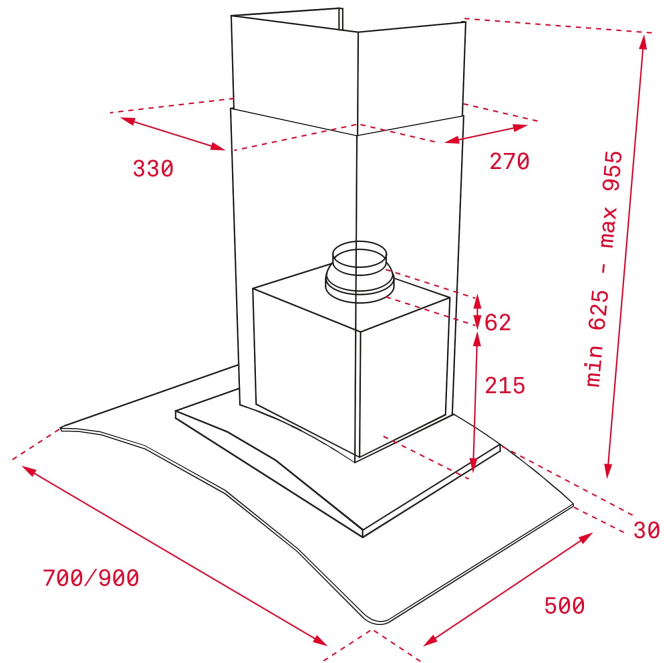
NC 985

FEATURES

Ultraslim glass wing decorative hood
Eco power
Backlit electronic panel with white display
Conventional aspiration
3 speeds + 1 intensive
Exhaust capacities:
Free Outlet (m³/h): 895
Max. (m³/h): 807
Min. (m³/h): 315
Noise (LwA) Max Speed 68 dB
Noise (LwA) Min Speed 56 dB
LED illumination
1 stainless steel-aluminium filter
Stop delay timer
Reinforced glass upper structure

DIMENSIONS

Product height (mm): 674-1004
Product width (mm): 900
Product depth (mm): 500
Product length (mm):
Net weight (Kg): 15,2



TECH SPECS

PARTICULAR CHARACTERISTICS

Type of hood: Glass Wing
Style: Decoratives
Certificates: CE; CB; Rohs
Ø Outlet (mm): 150
Type of inner light: LED
Inside light Consumption (W): 3
Plug type: European plug
Power rate (V): 220240
Frequency (Hz): 50
Total hood power (W): 286
Number of motors: 1
Motor power (W): 280
Exhaust Capacity - Free Outlet (m3/h): 895

**EU REGULATION NO. 65/2014
&66/2104**

Annual energy consumption AEC kWh/annum (kWh): 56,7
Energy Efficiency Class: A
Fluid Dynamic Efficiency (FDEhood): 30,5
Fluid Dynamic Efficiency class: A
Light Efficiency (Lehood) lux/Watt: 65,2
Lighting Efficiency class: A

Grease Filtering Efficiency class: C
Air flow (Qmin) m3/h: 315
Air flow (Qmax): 631
Air flow (Qboost): 807
Noise (LwA) Min Speed (dB): 56
Noise (LwA) Max Speed (dB): 68
Noise (LwA) boost speed (dB): 72
Off mode Power (Po) W: 0,00
Standby Power (Ps) W: 0,56
Energy Efficiency Index (EEI): 53,3
Time increase factor: 0,9
Electric power input at best efficiency point (Wbep) W: 159,4
Nominal power of the lighting system (WL) W: 6
Average illumination of the lighting system on the cooking surface (Emiddle) Lux: 391

ACCESSORIES

Anti Return valve: Yes
Outlet reduction: Yes
Optional Charcoal Filter: D4C
Charcoal filter description: CHARCOAL FILTER D4C
Conventional recirculation kit (with tube cover): 40490147

MODELS

Number of filters: 1
Filter description: Stainless Steel filters
Control panel: Backlit electronic control with white display
Stop delay timer: Yes
Filter saturation indicator: Yes
Number of speeds: 3+1

PRODUCT INFORMATION SHEET - DELEGATED REGULATION (EU) 65/2014

Supplier name or trademark: TEKA
Model identifier: NC 985
Annual Energy Consumption: 56,7
Energy Efficiency Class: A
Fluid Dynamic Efficiency: 30,5
Fluid Dynamic Efficiency class: A
Lighting Efficiency: 65,2
Lighting Efficiency class: A
Grease Filtering Efficiency class: C
Air flow (min speed normal use): 315
Air flow (max speed normal use): 631
Air flow (intensive or boost use): 807
Airborne acoustical A-weighted sound power emissions (min speed normal use): 56
Airborne acoustical A-weighted sound power emissions (max speed normal use): 68
Airborne acoustical A-weighted sound power emissions (intensive or boost use): 72
Power consumption in off mode (W): 0,00
Power consumption in standby mode (W): 0,56



NC 985

ENERGY LABEL

