



XT1 892 90cm Built-in Hood with two motors



DESCRIPTION

90cm Built-in Hood with two motors

LIFE STYLE

Easy

COLOURS**REFERENCE**

REF. 40456350
EAN. 8421152127995



TEKA

XT1 892

FEATURES

Built-in hood

Control panel: mechanic

Lamps Type: 2 halogens

3 speeds

Metallic filters

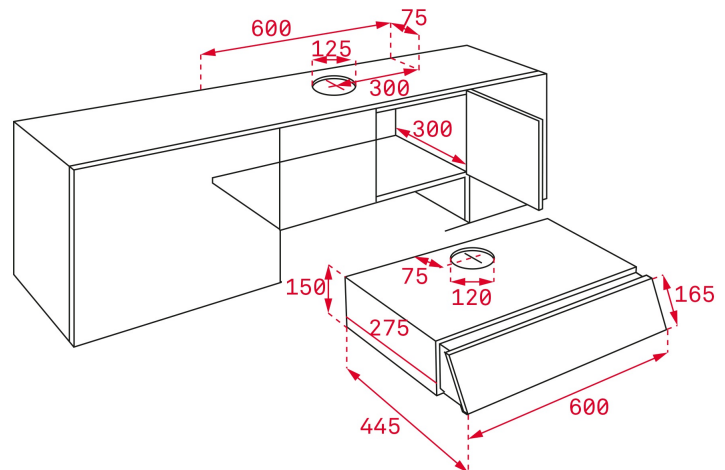
Max., m3/h: 272 Min., m3/h: 165

Noise: min. 61 dBA – max. 73 dBA

Recirculation Kit, optional

Energy Efficiency class: F

(*) PRODUCT FICHE ACCORDING TO COMMISSION DELEGATED
REGULATION (EU) NO 65/2014



DIMENSIONS

Product height (mm): 190/150
Product width (mm): 600
Product depth (mm): 308/340
Product length (mm):
Net weight (Kg): 8,9

TECH SPECS

PARTICULAR CHARACTERISTICS

Type of hood: Integrated
Style: Integrated
Certificates: CE / EMC / Rohs
Ø Outlet (mm): 125
Type of inner light: Halogen
Inside light Consumption (W): 28
Plug type: European plug
Power rate (V): 220240
Frequency (Hz): 50
Total hood power (W): 286
Number of motors: 2
Motor power (W): 230
Exhaust Capacity - Free Outlet (m3/h): 330

**EU REGULATION NO. 65/2014
&66/2104**

Annual energy consumption AEC kWh/annum (kWh): 161.9
Energy Efficiency Class: F
Fluid Dynamic Efficiency (FDEhood): 4.1
Fluid Dynamic Efficiency class: F
Light Efficiency (Lehood) lux/Watt: 3.0
Lighting Efficiency class: G

Grease Filtering Efficiency class: B
Air flow (Qmin) m3/h: 165
Air flow (Qmax): 272
Noise (LwA) Min Speed (dB): 61
Noise (LwA) Max Speed (dB): 73
Energy Efficiency Index (EEI): 113.9
Time increase factor: 1.9
Electric power input at best efficiency point (Wbep) W: 174.5
Nominal power of the lighting system (WL) W: 56.0
Average illumination of the lighting system on the cooking surface (Emiddle) Lux: 168.0

ACCESSORIES

Anti Return valve: Yes
Outlet extension: NO
Optional Charcoal Filter: C1C
Charcoal filter description: CHARCOAL FILTER C1C

MODELS

Number of filters: 1
Filter description: Metallic
Control panel: Slider
Number of speeds: 3

PRODUCT INFORMATION SHEET - DELEGATED REGULATION (EU) 65/2014

Supplier name or trademark: TEKA
Model identifier: XT1 892
Annual Energy Consumption: 161.9
Energy Efficiency Class: F
Fluid Dynamic Efficiency: 4.1
Fluid Dynamic Efficiency class: F
Lighting Efficiency: 3.0
Lighting Efficiency class: G
Grease Filtering Efficiency class: B
Air flow (min speed normal use): 165
Air flow (max speed normal use): 272
Air flow (intensive or boost use): n.a
Airborne acoustical A-weighted sound power emissions (min speed normal use): 52
Airborne acoustical A-weighted sound power emissions (max speed normal use): 71
Power consumption in off mode (W): n.a
Power consumption in standby mode (W): n.a



XT1 892

ENERGY LABEL

The energy label for the TEKA XT1 891 model is presented in a vertical rectangular format. At the top left, it features the European Union flag and the word "ENERG" in large letters, with "енергия · енеруєд" written below it. To the right of this are four small circular icons containing the letters Y, UA, IE, and IA. Below the header, the brand name "TEKA" and the model number "XT1 891" are printed. The central part of the label displays a vertical energy efficiency scale from A (green) to G (red). A black arrow points to the 'E' level on this scale. To the right of the scale, a white box contains the number "134" and the unit "kWh/annum". Below the scale are four icons: a fan, a lightbulb, water droplets, and a speaker. Each icon has a corresponding energy efficiency scale below it: the fan icon has a scale from A to G with 'F' highlighted; the lightbulb icon has a scale from A to G with 'G' highlighted; the water droplets icon has a scale from A to G with 'E' highlighted; and the speaker icon has the value "68dB". At the bottom left of the label, the reference number "65/2014" is printed.